

Flat Roof Vents

b/s/t PVC Pipe Duct KD

Specification ← **Material**
PVC-U, high impact strength,
UV-stabilised

Special model*
DN 200, DN 250, DN 300

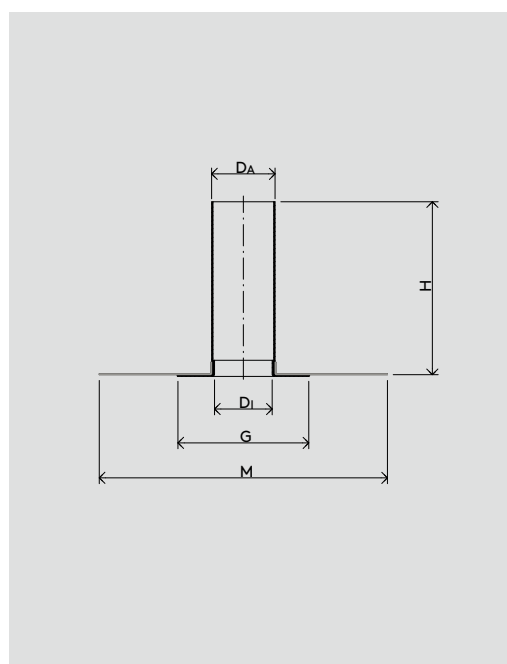
Different colour of pipe
DN 200, DN 250, DN 300
similar to RAL 7011

Base plate
Inclination of 25° max. for DN 70 – 150
Inclination of 5° max. for DN 200 – 300

Membrane flange
PVC, EVA (see page 158)

INFO Please order ←
membrane
flange
separately

Special models ←
on request*



WG 1111 ←

Nominal Width	Product No.	$D_A \varnothing$ [mm]	$D_I \varnothing$ [mm]	G [mm]	M [mm]	H [mm]
DN 50	110-KD050	50	43	150	300	300
DN 70	110-KD070	75	67	180	350	300
DN 80	110-KD080	90	80	200	350	300
DN 100	110-KD100	110	100	230	500	300
DN 125	110-KD125	125	110	230	500	300
DN 150	110-KD150	160	149	260	500	300
DN 200*	110-KD200	200	185	400	580	300
DN 250*	110-KD250	250	233	400	580	300
DN 300*	110-KD300	315	295	500	680	300

* Custom-made products cannot be returned.
Status: 03/22 b/s/t GmbH Koch Kunststofftechnologie reserves the right to make technical modifications.