

Flat Roof Vents

b/s/t PVC Sewage Vent WD

Stacking element

Specification ←

Material

PVC-U, high impact strength,
UV-stabilised

Maximum pipe length

max. 1000 mm

Different colour of pipe

DN 200, DN 250, DN 300
similar to RAL 7011

Base plate

Inclination of 25° max. for DN 70 - 150

Inclination of 5° max. for DN 200 - 300

Membrane flange

PVC, EVA (see page 158)

INFO

Please order ←
membrane
flange
separately

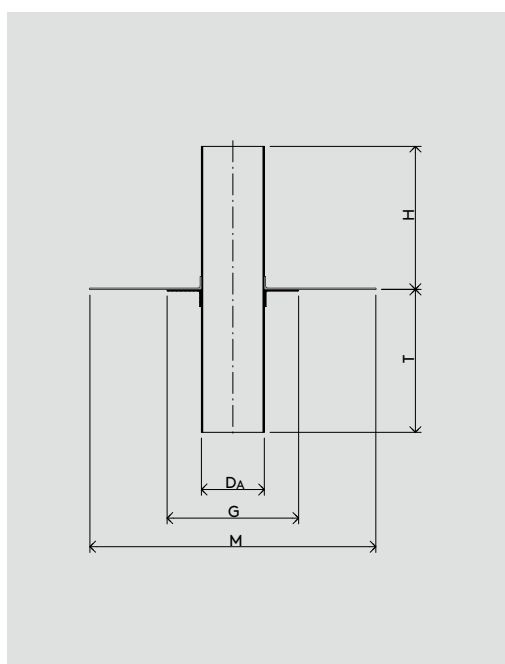
Special models ←
on request*



up to 25°



Ø up to 300



WG 1111 ←

Nominal Width	Product No.	$D_A \text{Ø}$ [mm]	AL** [cm ²]	G [mm]	M [mm]	H [mm]	T [mm]
DN 50	110-WD050	50	17	150	300	250	250
DN 70	110-WD070	75	40	200	350	250	250
DN 80	110-WD080	90	56	200	350	250	250
DN 100	110-WD100	110	87	230	500	250	250
DN 125	110-WD125	125	113	230	500	250	250
DN 150	110-WD150	160	185	280	500	300	250
DN 200*	110-WD200	200	268	400	580	300	250
DN 250*	110-WD250	250	415	400	580	300	250
DN 300*	110-WD300	315	695	500	680	300	250

* Custom-made products cannot be returned.

** AL = ventilation cross-section

Status: 03/22 b/s/t GmbH Koch Kunststofftechnologie reserves the right to make technical modifications.