

Flat Roof Vents

b/s/t PVC Vent WD

Stacking element

Specification ←

Material

PVC-U, high impact strength,
UV-stabilised

Including plastic weather cap (removable),
high impact strength, UV-stabilised

Special model*

DN 250, DN 300

Different colour of pipe

DN 200

similar to RAL 7011

Maximum pipe length

max. 1000 mm

Base plate

Inclination of 25° max. for DN 70 - 150

Inclination of 5° max. for DN 200 - 300

Membrane flange

PVC, EVA (see page 158)

INFO

Please order ←
membrane
flange
separately

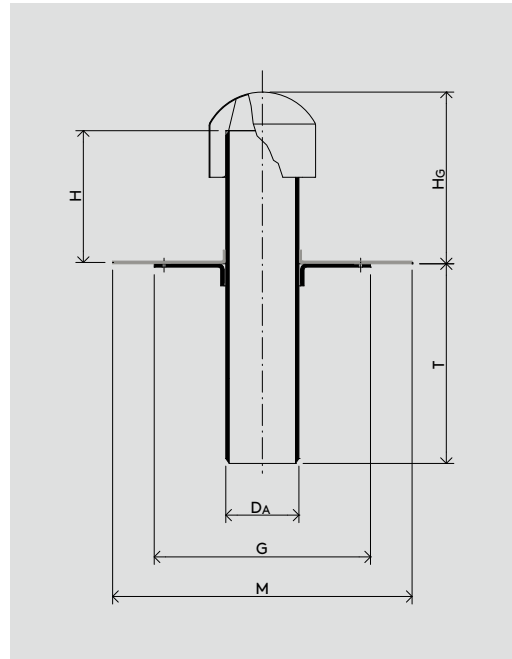
Special models ←
on request*



up to 25°



∅ up to 300



WG 1111 ←

Nominal Width	Product No.	DA∅[mm]	AL** [cm ²]	G[mm]	M[mm]	H[mm]	Hg[mm]	T[mm]
DN 50	111-WD050	50	16	200	300	250	290	250
DN 70	111-WD070	75	40	200	350	250	290	250
DN 80	111-WD080	90	56	200	350	250	310	250
DN 100	111-WD100	110	87	230	500	250	310	250
DN 125	111-WD125	125	113	230	500	250	315	250
DN 150	111-WD150	160	185	280	500	300	380	250
DN 200*	111-WD200	200	268	400	580	300	411	250

* Custom-made products cannot be returned.

** AL = ventilation cross-section

Status: 03/22 b/s/t GmbH Koch Kunststofftechnologie reserves the right to make technical modifications.