

Moisture Control

b/s/t PVC Control Pipe

Testing device for non-destructive moisture control on insulated flat roofs

Specification ←

Material

PVC-U, high impact strength,
UV-stabilized

Including PVC Control Pipe Cap
(removable) with sealing ring
and EPS-foam Pipe Core

Maximum pipe length

max. 1000 mm

Special model*

– Pipe length selectable up and down

Membrane flange

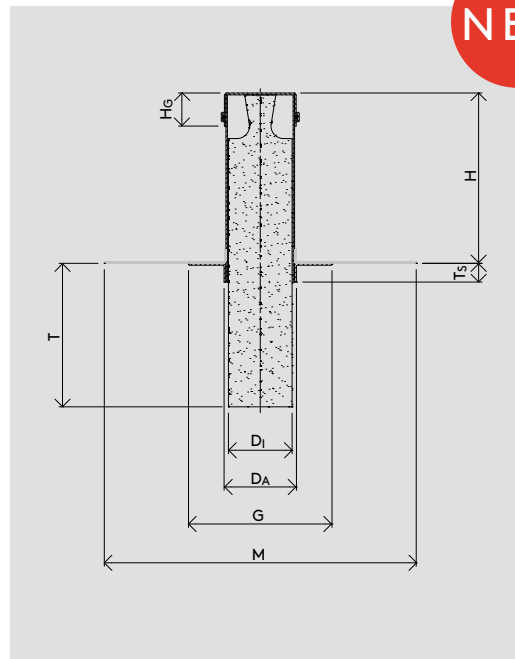
PVC, EVA (see page 158)

According to Ö-Norm B3691, additional service operations are required for roofs in use category K3. One of these service requirements is the installation of detection systems that enable non-destructive moisture control.

INFO

Please order ←
membrane
flange
separately

Special models ←
on request*



NEW

WG 1111 ←

Nominal Width	Product No.	DAØ [mm]	DiØ [mm]	G [mm]	M [mm]	H [mm]	HG [mm]	Ts [mm]	T [mm]
DN 100	112-100	116	102	230	500	273	53	30	230

* Custom-made products cannot be returned.

Status: 03.22 b/s/t GmbH Koch Kunststofftechnologie reserves the right to make technical modifications.