

Flat Roof Drains

b/s/t PVC Drain

Stacking element

Specification ←

Material

PVC-U, high impact strength,
UV-stabilised

Special model*

DN 250, DN 300

Maximum pipe length

max. 1000 mm

Different colour of pipe

DN 200

similar to RAL 7011

Base plate

Inclination of 25° max. for DN 50 – 150

Inclination of 5° max. for DN 200 – 300

Membrane flange

PVC, EVA (see page 158)

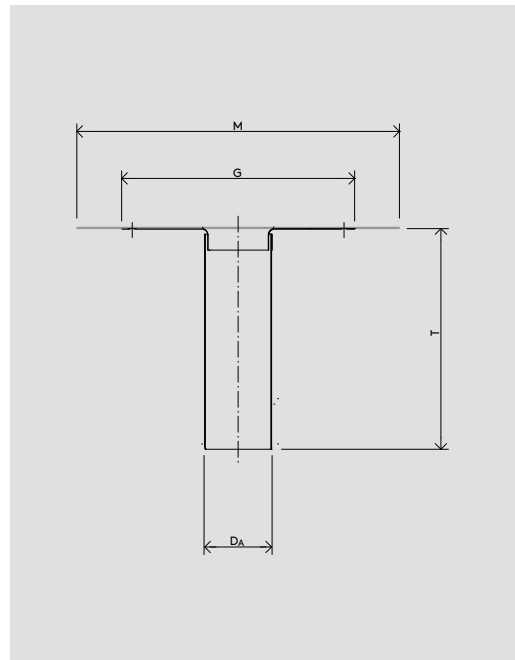
INFO

Please order ←
membrane
flange
separately

Special models ←
on request*



Ø bis 300



b/s/t
Koch Kunst-
stofftechnologie
Nordstraße 1
83253 Rimsting



WG 1112 ←

Nominal Width	Product No.	DAØ [mm]	G [mm]	M [mm]	T [mm]	Q** [l/sek]	hg*** [mm]
DN 50	121-050	50	150	300	300	0.90	35
DN 70	121-070	75	180	350	300	4.40	35
DN 80	121-080	90	200	350	300	5.00	35
DN 100	121-100	110	230	500	300	6.00	35
DN 125	121-125	125	230	500	300	9.00	45
DN 150	121-150	160	260	500	300	10.60	45
DN 200*	121-200	200	400	580	300	13.00	45

* Custom-made products cannot be returned.

** Q [l/sek] Discharge capacity at the water level hG at the gully

*** hg [mm] Water level height/pressure height at the drain

Status: 03/22 b/s/t GmbH Koch Kunststofftechnologie reserves the right to make technical modifications.