

Flat Roof Drains

b/s/t PVC Retrofit Drain

Specification ← **Material**
 PVC-U, high impact strength,
 UV-stabilised

Including
 b/s/t Universal gravel guard
 high impact strength, UV-stabilised
 b/s/t Universal Anti Backflow Seal

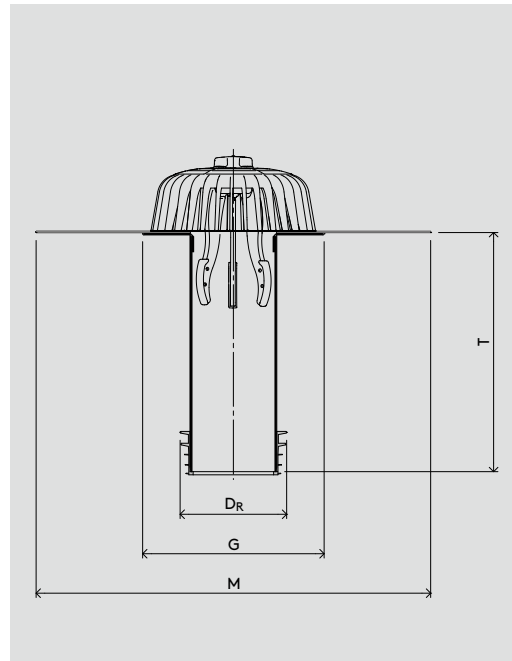
Special model*
 Maximum pipe length 1000 mm

For the safe connection of outlets to
 downpipes without existing sleeve;
 verification of fit to existing drain is
 the responsibility of the installer.

Membrane flange
 PVC, EVA (see page 158)

INFO Please order ←
 membrane
 flange
 separately

Special models ←
 on request*



b/s/t
 Koch Kunst-
 stofftechnologie
 Nordstraße 1
 83253 Rimsting



WG 1112 ←

Nominal Width	Product No.	D _R **Ø [mm]	D _V ***Ø [mm]	G [mm]	M [mm]	T [mm]	Q**** [l/sek]	h _G ***** [mm]
DN 70	121-SG070	87-108	83-106	180	350	300	4.40	35
DN 80	121-SG080	105-111	101-108	200	350	300	5.00	35
DN 100	121-SG100	120-135	116-131	230	500	300	6.00	35
DN 125	121-SG125	152-160	148-158	230	500	300	9.00	45
DN 150	121-SG150	194-200	190-195	260	500	300	10.60	45

* Custom-made products cannot be returned.
 ** D_R = DR = outer diameter - area of the sealing lip
 *** D_V = inside diameter, range calibration of the existing drain pipe
 **** Q [l/sek] Discharge capacity at the water level h_G at the gully
 ***** h_G [mm] Water level height/pressure height at the drain
 Status: 03/22 b/s/t GmbH Koch Kunststofftechnologie reserves the right to make technical modifications.