

Flat Roof Drains

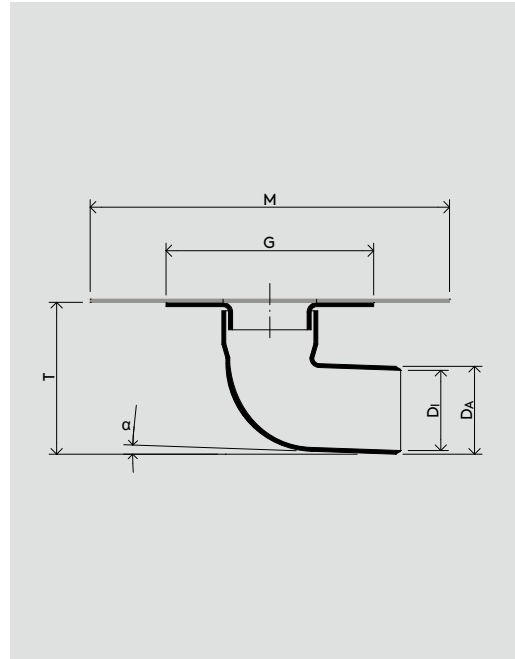
b/s/t PVC Side-Outlet Drain

Specification ← Material
PVC-U, high impact strength,
UV-stabilised

Membrane flange
PVC, EVA
(see page 158)

INFO

Please order ←
membrane
flange
separately



WG 1112 ←

Nominal Width	Product No.	DAØ [mm]	D1Ø [mm]	G [mm]	M [mm]	T [mm]	α [°]	Q* [l/sek]	hg** [mm]
DN 50	127-050	50	46.4	150	300	80	3	0.81	35
DN 70	127-070	75	71.4	180	350	110	3	3.96	35
DN 100	127-100	110	105.4	230	500	160	3	5.40	35
DN 125	127-125	125	120.0	230	500	175	3	8.10	45
DN 150	127-150	160	153.6	260	500	225	3	9.54	45

* Q [l/sek] Discharge capacity at the water level hg at the gully

** hg [mm] Water level height / pressure height at the drain

Status: 03/22 b/s/t GmbH Koch Kunststofftechnologie reserves the right to make technical modifications.