

Vapour Barrier Connection

b/s/t PVC Deck Drain

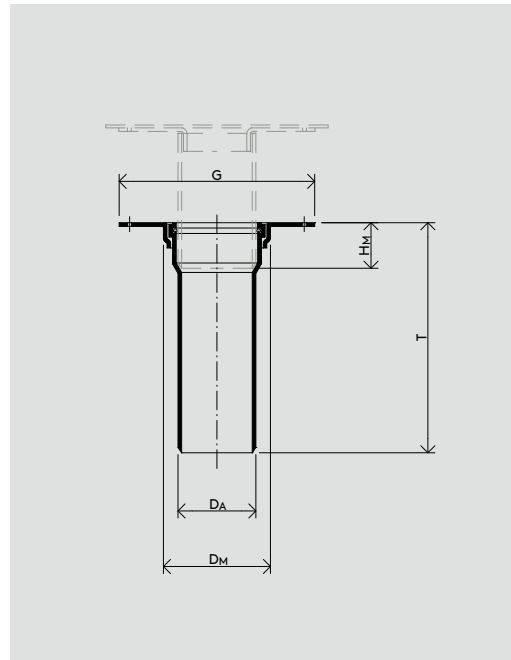
Specification ← **Material**
 PVC-U, high impact strength,
 UV-stabilised

Pipe length
 300 mm

Including a sealing ring,
 suitable for all stacking elements

Different colour of pipe
 DN 200, DN 250, DN 300
 similar to RAL 7011

Special model*
 Pipe length 600 mm



WG 1113 ←

Nominal Width	Product No.	$D_A \emptyset$ [mm]	$D_M \emptyset$ [mm]	G [mm]	H_M [mm]	T [mm]
DN 50	128-050300	50	69.5	200	40	300
DN 70	128-070300	75	93.5	200	50	300
DN 100	128-100300	110	130.0	250	65	300
DN 125	128-125300	125	150.0	260	75	300
DN 150	128-150300	160	185.0	300	90	300
DN 200	128-200300	200	230.0	400	105	300
DN 250*	128-250300	250	285.0	500	120	300
DN 300*	128-300300	315	350.0	500	130	300

* Custom-made products cannot be returned.
 Status: 03/22 b/s/t GmbH Koch Kunststofftechnologie reserves the right to make technical modifications.