

Parapet Drainage

b/s/t PVC Emergency Overflow Drain

Specification ← Material
 PVC-U, high impact strength,
 UV-stabilised

Pipe length
 300 mm

Without base plate

Special model*
 DN 125, DN 150

Maximum pipe length
 max. 1000 mm

Membrane flange
 PVC, EVA (see page 158)

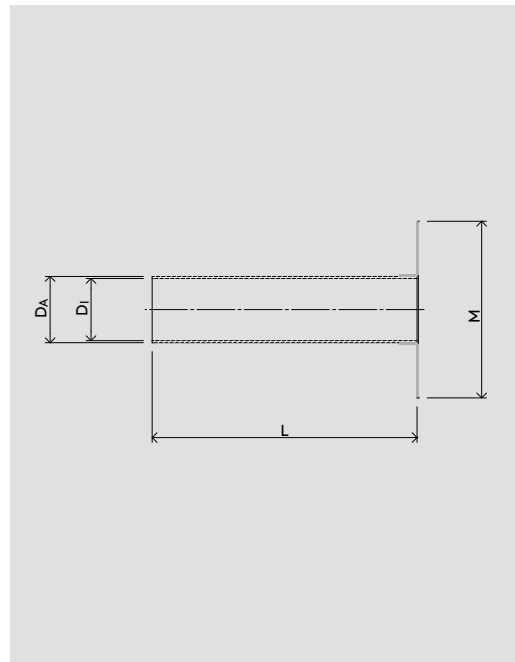
INFO Please order ←
 membrane
 flange
 separately

Free calculation ←
 of quantity and
 flow rate

Special models ←
 on request*



Ø up to 150



WG 1114 ←

Nominal Width	Product No.	$D_A \varnothing$ [mm]	$D_I \varnothing$ [mm]	M [mm]	L [mm]
DN 40	131-040	40	36.4	Ø 160	300
DN 50	131-050	50	46.4	Ø 160	300
DN 60	131-060	63	58.0	Ø 200	300
DN 70	131-070	75	71.4	Ø 200	300
DN 80	131-080	90	84.6	250 x 250	300
DN 100	131-100	110	105.4	250 x 250	300

* Custom-made products cannot be returned.
 See calculation tool under „Service“ on www.bst-gmbh.de
 Status: 03/22 b/s/t GmbH Koch Kunststofftechnologie reserves the right to make technical modifications.