

Parapet Drainage

b/s/t PVC Parapet Drain

with angled base plate

Specification ←

Material
PVC-U, high impact strength, UV-stabilised

Maximum pipe length
max. 1000 mm

Pipe length
300 mm

Drainage pipe
Inclination of 25° max. for DN 50 – 150
Inclination of 5° max. for DN 200 – 300

With dam level to use as Emergency
Overflow Drain

Membrane flange
PVC, EVA
(see page 158)

Special model*
DN 250, DN 300

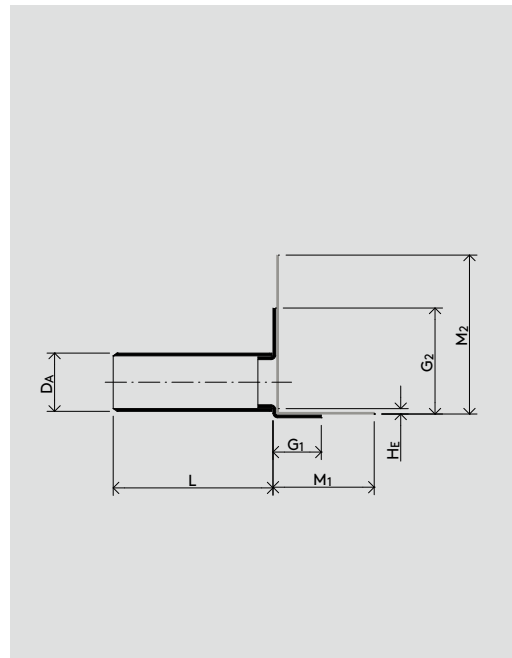
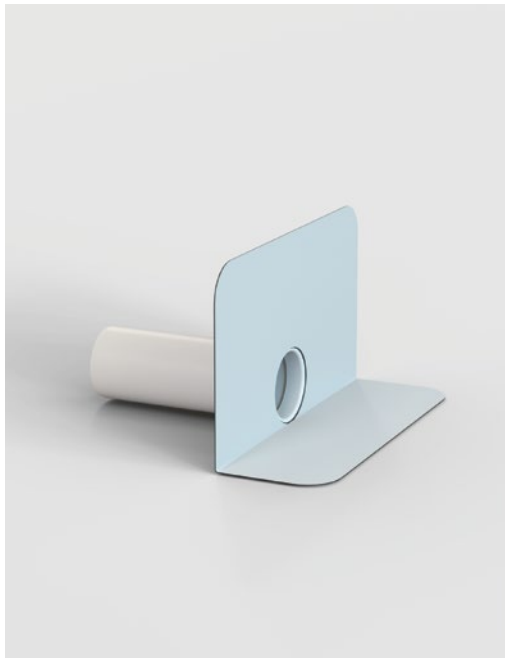
Different colour of pipe
DN 200
similar to RAL 7011

INFO

Please order ←
membrane
flange
separately

Free calculation ←
of quantity and
flow rate

Special models ←
on request*



WG 1114 ←

Nominal Width	Product No.	DA Ø [mm]	G ₁ [mm]	G ₂ [mm]	M ₁ [mm]	M ₂ [mm]	H _E [mm]	L [mm]
DN 50	132-050	50	47	103	122	178	5	300
DN 60	132-060	63	66	134	141	209	5	300
DN 70	132-070	75	49	131	134	216	5	300
DN 80	132-080	90	53	147	128	222	5	300
DN 100	132-100	110	57	173	192	308	5	300
DN 125	132-125	125	50	180	185	315	5	300
DN 150	132-150	160	47	213	167	333	6	300
DN 200*	132-200	200	99	301	189	391	6	300

* Custom-made products cannot be returned.

See calculation tool under „Service“ on www.bst-gmbh.de

Status: 03/22 b/s/t GmbH Koch Kunststofftechnologie reserves the right to make technical modifications.