

Parapet Drainage

b/s/t PVC Emergency Overflow Drain S

with water dam level

Specification ←

Material
PVC-U, high impact strength,
UV-stabilised

Water dam level
 H_E : optional
(further dam levels on request)

Different colour of pipe
DN 200
similar to RAL 7011

Special model*
DN 250, DN 300

Pipe length T
300 mm

Membrane flange
PVC, EVA (see page 158)

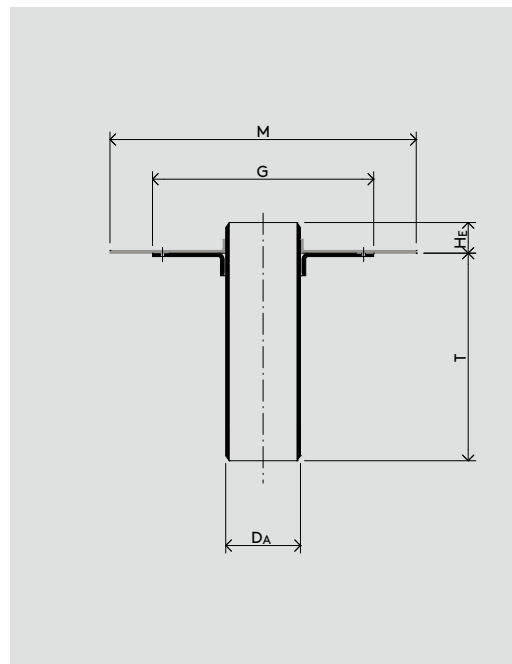
INFO Please order ←
membrane
flange
separately

Free calculation ←
of quantity and
flow rate

Special models ←
on request*



∅ up to 300



WG 1114 ←

| Nominal Width | Product No. | $D_A \text{ } \varnothing$ [mm] | G [mm] | M [mm] | T [mm] | H_E^{**} [mm] |
|---------------|-------------|---------------------------------|--------|--------|--------|-----------------|
| DN 50 | 133-050 | 50 | 150 | 300 | 300 | 35 |
| DN 70 | 133-070 | 75 | 200 | 350 | 300 | 35 |
| DN 100 | 133-100 | 110 | 230 | 500 | 300 | 35 |
| DN 125 | 133-125 | 125 | 230 | 500 | 300 | 45 |
| DN 150 | 133-150 | 160 | 280 | 500 | 300 | 45 |
| DN 200* | 133-200 | 200 | 400 | 580 | 300 | 45 |

* Custom-made products cannot be returned.

** H_E to customer's specifications

Status: 03/22 b/s/t GmbH Koch Kunststofftechnologie reserves the right to make technical modifications.