

Parapet Drainage

b/s/t PVC Emergency Overflow Drain RV with Water Dam*

High Flow Rate!

Specification ← Material
PVC-U, high impact strength,
UV-stabilised

Pipe length
400 mm

Dam levels
35/45/50/55 mm

Special model*
Complete pipe length 700 mm max

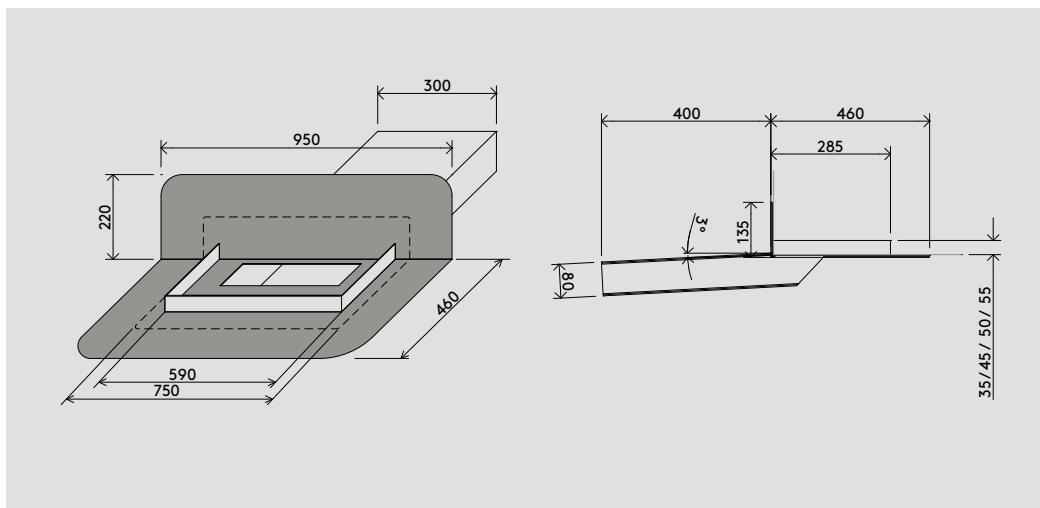
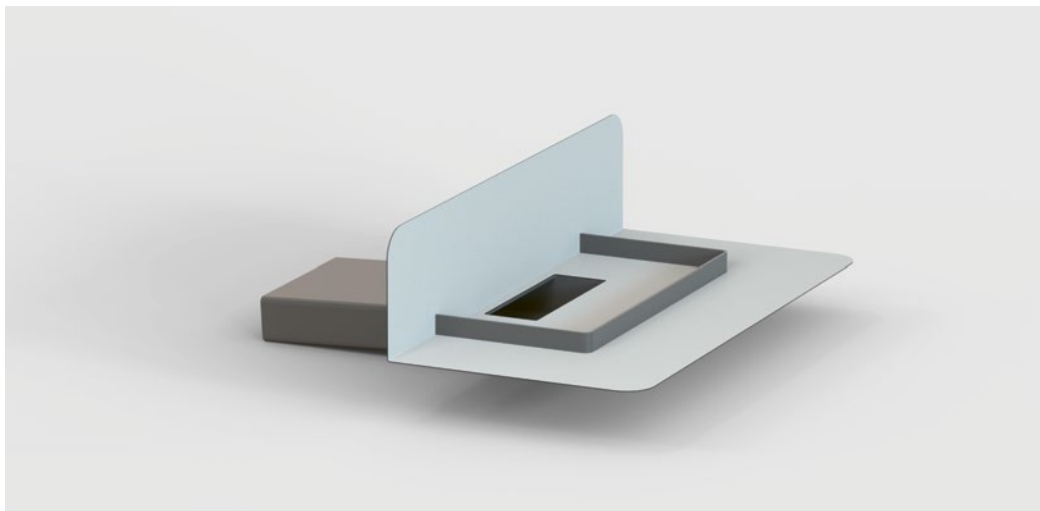
Special model*
Without water dam; to be used as water-
spout or emergency overflow drain

Membrane flange
PVC, EVA (see page 158)

INFO Please order ←
membrane
flange
separately

Free ←
calculation of
quantity and
flow rate

Special models ←
on request*



WG 1321 ← Type	Product No.	Q** [l/sek]	h _G *** [mm]
300 x 80 mm RV 35	134-30035	13.30	40
300 x 80 mm RV 45	134-30045	9.60	30
300 x 80 mm RV 50	134-30050	7.80	25
300 x 80 mm RV 55	134-30055	6.00	20

* Custom-made products cannot be returned.

** Q [l/sek] Discharge capacity at water level height h_G at the emergency overflow; max. permissible water level height 75 mm.

*** h_G [mm] Water level height/pressure height at the emergency overflow

Status: 03/22 b/s/t GmbH Koch Kunststofftechnologie reserves the right to make technical modifications.