

# Parapet Drainage

## b/s/t PVC Emergency Overflow Drain R

with straight or angled base plate

### Specification ←

#### Material

PVC-U, high impact strength,  
UV-stabilised

#### Pipe length\*

300 mm (Special length on request)

Minimum water dam level 15 mm with  
bent base plate due to manufacturing

Water dam level 35 mm, 45 mm (or  
according to specification) with angled  
base plate; higher dam levels built with  
straight base plate (please specify with  
order)

#### Membrane flange

PVC, EVA (see page 158)

#### Custom-made products

Emergency Overflow Drain RS (see page 89)

INFO

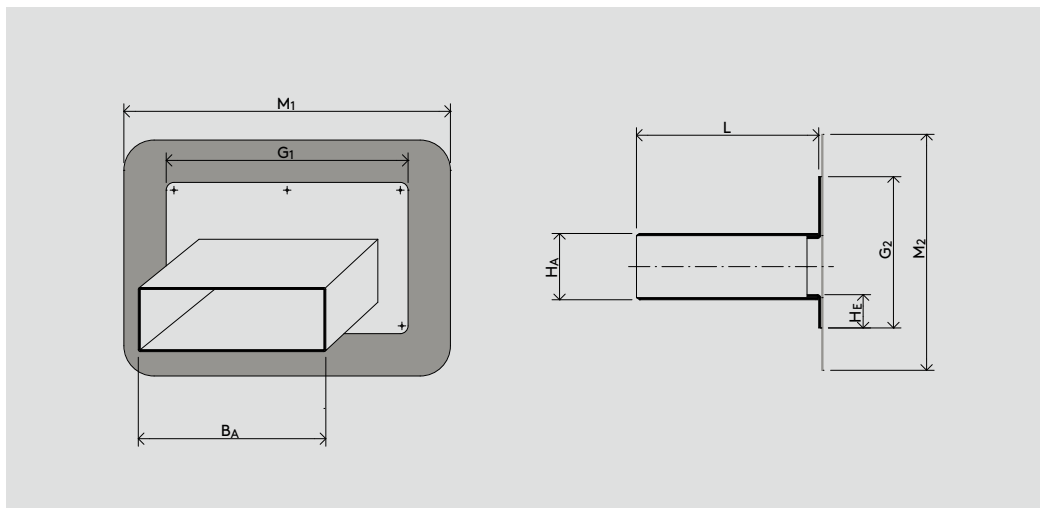
Please order ←  
membrane  
flange  
separately

Free ←  
calculation of  
quantity and  
flow rate

Special models ←  
on request\*



to max 600



### WG 1114 ←

Type	Product No.	HA [mm]	BA [mm]	G1 [mm]	G2 [mm]	M1 [mm]	M2 [mm]	HE [mm]	L [mm]
60 x 60 mm	135-060	60	60	200	200	350	350	72.5	300
90 x 90 mm	135-090	90	90	200	200	350	350	57.5	300
110 x 110 mm	135-110	107	107	250	250	500	500	74.0	300
115 x 75 mm	135-125	76	116	250	200	500	500	65.0	300
310 x 105 mm	135-310	106	308	400	250	600	500	55.0	300

\* Custom-made products cannot be returned.

See calculation tool under „Service“ on [www.bst-gmbh.de](http://www.bst-gmbh.de)

Status: 03/22 b/s/t GmbH Koch Kunststofftechnologie reserves the right to make technical modifications.