

## b/s/t PVC Emergency Overflow Drain RS\*

Custom-made products: built from PVC, PP or PE

**Specification** ← Material  
PVC-U, high impact strength, UV-stabilised

Special construction\*

Maximum inner width: 1000 mm  
Minimum inner height: 60 mm  
Material thickness: 5 mm  
Inner width over 500 mm:  
built with a stabilising bar

Factory built dam level of 15 mm min.

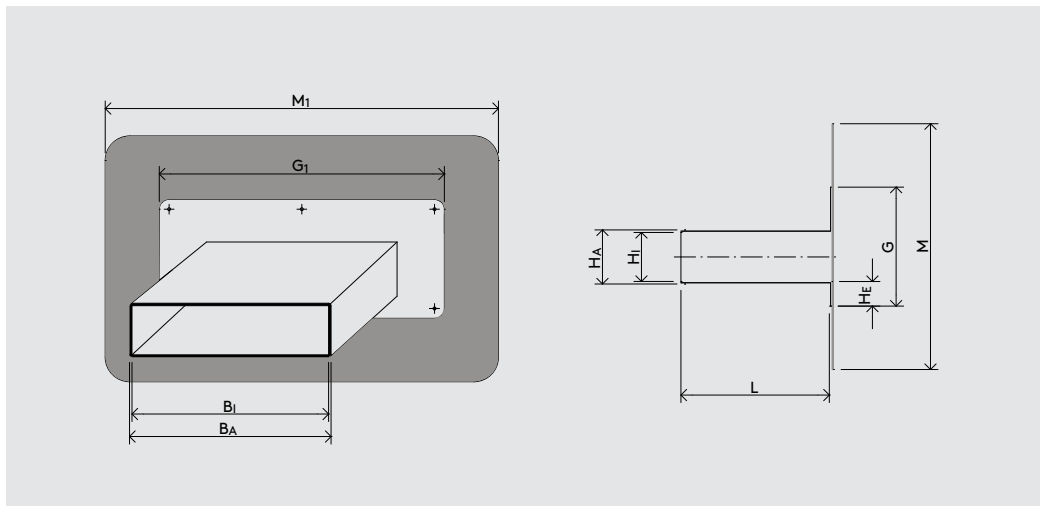
Water dam level 35 mm, 45 mm (or according to instruction) with angled base plate or with a straight base plate on a water dam level of 50 mm or above (please specify with order).

INFO

Please order ←  
membrane flange  
separately

Free calculation ←  
of quantity and  
flow rate

Custom models ←  
on request\*



WG 1322 ←	Type	Product No.	Special construction* – prices on request
	PVC-RS	135-000	Maximum inner width 1000 mm; Minimum inner height 60 mm; Material thickness 5 mm. Special models* are built according to submitted drawing only!

\* Custom-made products cannot be returned.  
Status: 11/17 b/s/t GmbH Koch Kunststofftechnologie reserves the right to make technical modifications.