

# Lightning Protection

## b/s/t PVC Lightning Conductor Flashing

Specification ← **Material**  
PVC-U, high impact strength,  
UV-stabilised

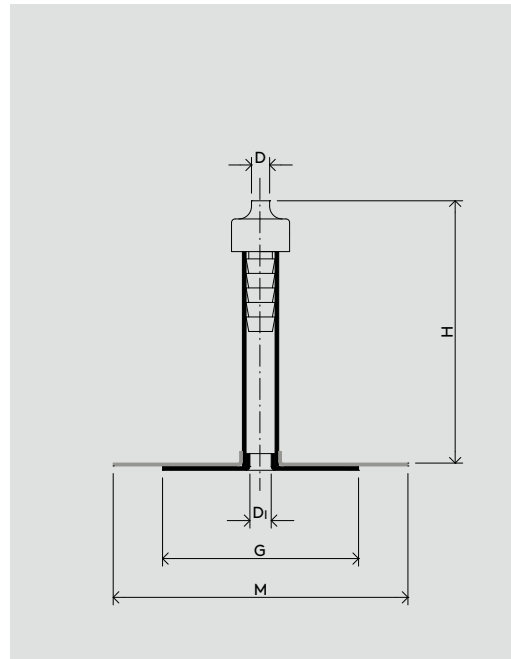
For wire gauge  $\varnothing$  8 – 10 mm

Incl. elastic sealing plug

**Membrane flange**  
PVC, EVA (see page 158)

INFO Please order ←  
membrane  
flange  
separately

Special models ←  
on request\*



WG 1116 ←	Type	Product No.	$D_1\varnothing$ [mm]	$D\varnothing$ [mm]	$G\varnothing$ [mm]	$M\varnothing$ [mm]	H [mm]
	with base plate	141-002	13	8 – 10	100	195	230

\* Custom-made products cannot be returned.  
Status: 03/22 b/s/t GmbH Koch Kunststofftechnologie reserves the right to make technical modifications.