

Cable Cowls

b/s/t PVC Cable Cowl KD

Specification ← **Material**
PVC-U, shigh impact strength,
UV-stabilised

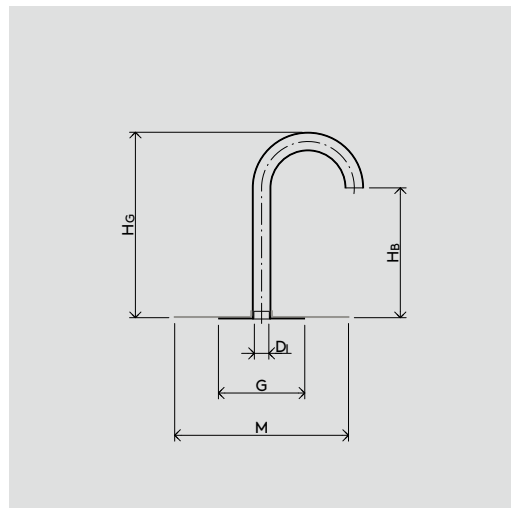
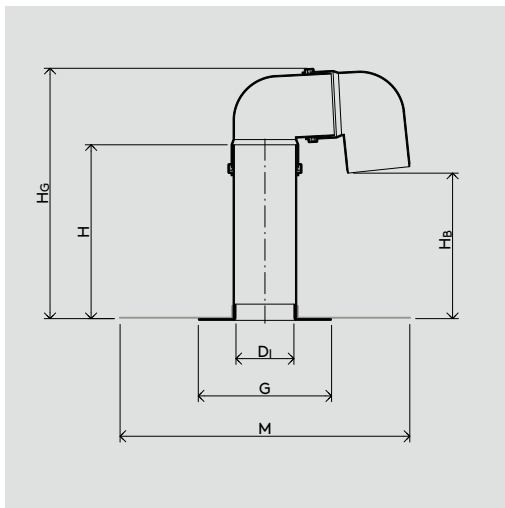
Not
From DN 50 model with two 87° PVC
elbow pipes

Special model*
Maximum base plate inclination of 25° for
DN 50 – 150

Membrane flange
PVC, EVA (see page 152)

INFO Please order ←
membrane
flange
separately

Special models ←
on request*



WG 1117 ←

Nominal Width	Product No.	D _i Ø [mm]	G [mm]	M [mm]	H [mm]	H _G [mm]	H _B [mm]
32 mm	142-KD032	24	150	300	220	320	220
DN 50	142-KD050	43	150	300	300	365	265
DN 70	142-KD070	67	180	350	300	390	255
DN 100	142-KD100	100	230	500	300	435	250
DN 125	142-KD125	110	230	500	300	455	240
DN 150	142-KD150	149	260	500	300	490	230

* Custom-made products cannot be returned.
Status: 03/20 b/s/t GmbH Koch Kunststofftechnologie reserves the right to make technical modifications.