

# Cable Ducts

## b/s/t PVC Cable Duct KD

**Specification** ← **Material**  
PVC-U, shigh impact strength,  
UV-stabilised

**Special model\***  
Maximum base plate inclination of 25° for  
DN 50 – DN 200

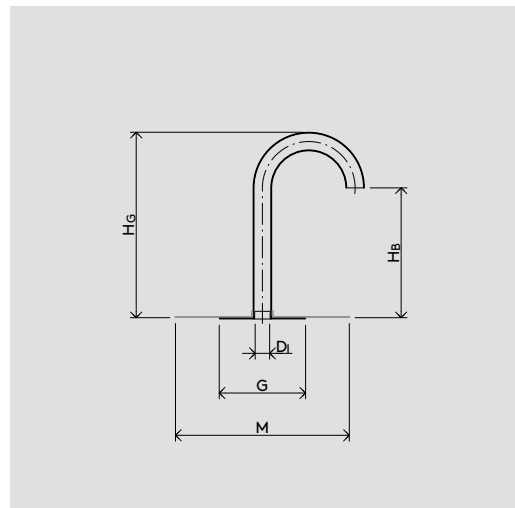
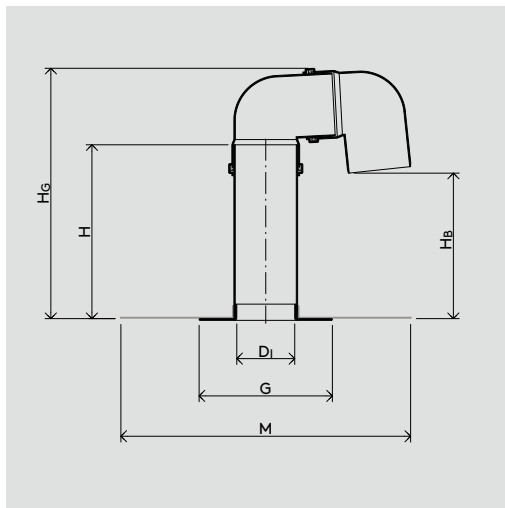
**Not**  
From DN 50 model with two 87° PVC  
elbow pipes

**Membrane flange**  
PVC, EVA (see page 158)

INFO

Please order ←  
membrane  
flange  
separately

Special models ←  
on request\*



WG 1215 ←

Nominal Width	Product No.	$D_i \varnothing$ [mm]	G [mm]	M [mm]	H [mm]	$H_G$ [mm]	$H_B$ [mm]
Ø 32 mm	142-KD032	24	150	300	220	320	220
DN 50	142-KD050	43	150	300	300	365	265
DN 70	142-KD070	67	180	350	300	390	255
DN 100	142-KD100	100	230	500	300	435	250
DN 125	142-KD125	110	230	500	300	455	240
DN 150	142-KD150	149	260	500	300	495	230
DN 200*	142-KD200	192	400	580	300	540	220

\* Custom-made products cannot be returned.

Status: 03/22 b/s/t GmbH Koch Kunststofftechnologie reserves the right to make technical modifications.