

# Cable Ducts

## b/s/t PVC Energy Supply Duct KD

**Specification** ← **Material**  
 PVC-U, high impact strength,  
 UV-stabilised

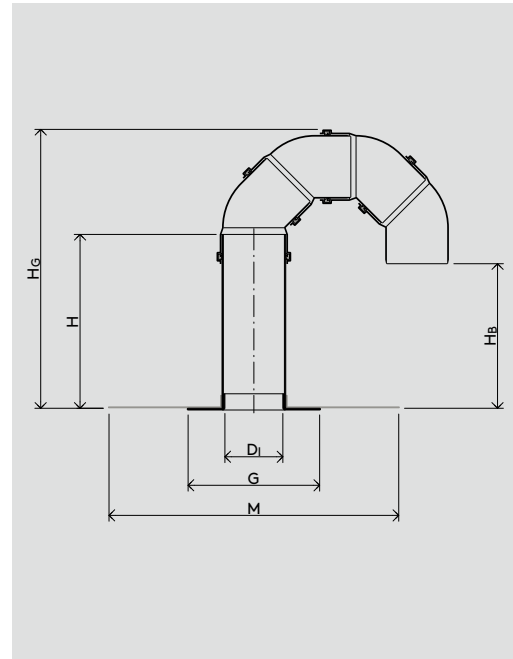
**Special model\***  
 Maximum base plate inclination  
 of 25° for DN 50 – 150

**Note**  
 Model with four 45° PVC elbow pipes

**Membrane flange**  
 PVC, EVA (see page 158)

**INFO** Please order ←  
 membrane  
 flange  
 separately

Special models ←  
 on request\*



**WG 1117** ←

Nominal Width	Product No.	$D_i \varnothing$ [mm]	G [mm]	M [mm]	H [mm]	$H_G$ [mm]	$H_B$ [mm]
DN 100	143-KD100	100	230	500	300	470	240
DN 125	143-KD125	110	230	500	300	500	240
DN 150	143-KD150	149	260	500	300	550	230

\* Custom-made products cannot be returned.  
 Status: 03/22 b/s/t GmbH Koch Kunststofftechnologie reserves the right to make technical modifications.