

Parapet Drainage

b/s/t PVC Spout/Parapet Drain RS*

with bent base plate, construction without water backup rim

Specification ← **Material**
 PVC-U, high impact strength,
 UV-stabilised

Pipe length
 300 mm

Special model*
 Complete pipe length 1000 mm max

Drainage pipe
 3°

Membrane flange
 PVC, EVA (see page 158)

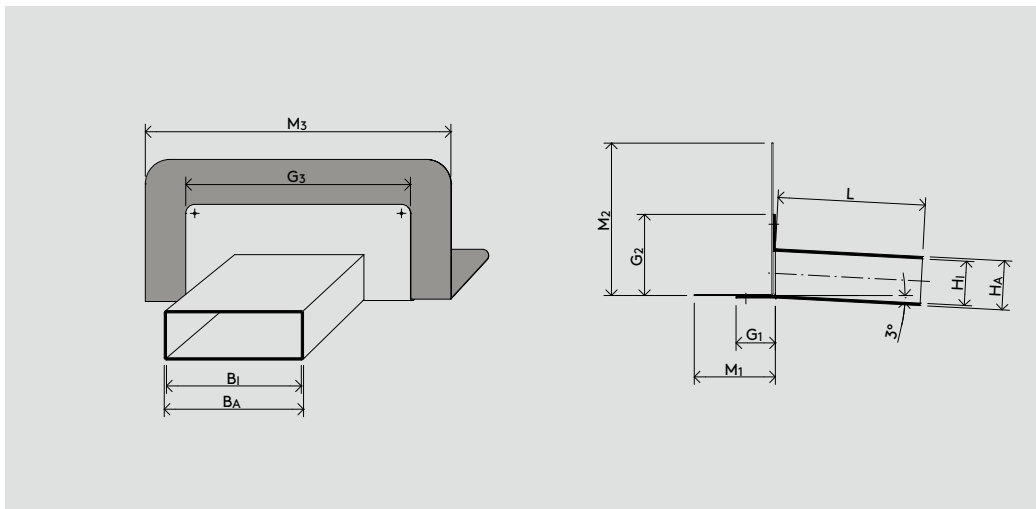
INFO Please order ←
 membrane
 flange
 separately

Free ←
 calculation of
 quantity and
 flow rate

Special models ←
 on request*



to max 1000



WG 1321 ←

Type [mm]	Product No.	HA [mm]	HI [mm]	BA [mm]	BI [mm]	G1 [mm]	G2 [mm]	G3 [mm]	M1 [mm]	M2 [mm]	M3 [mm]	L [mm]
100 x 100	150-100	100	90	100	90	80	170	240	190	310	500	300
150 x 100	150-150	100	90	150	140	80	170	290	190	310	550	300
200 x 100	150-200	100	90	200	190	80	170	340	190	310	600	300

* Custom-made products cannot be returned.

See calculation tool under „Service“ on www.bst-gmbh.de

Status: 03/22 b/s/t GmbH Koch Kunststofftechnologie reserves the right to make technical modifications.