

b/s/t PVC Multi-Flange

Specification ← Material
PVC-P

Pre-fabricated flashing for fall arrest posts or cylindrical pipes, including stainless steel hose clamp. For available diameters see table below.

Standard construction height
150 mm

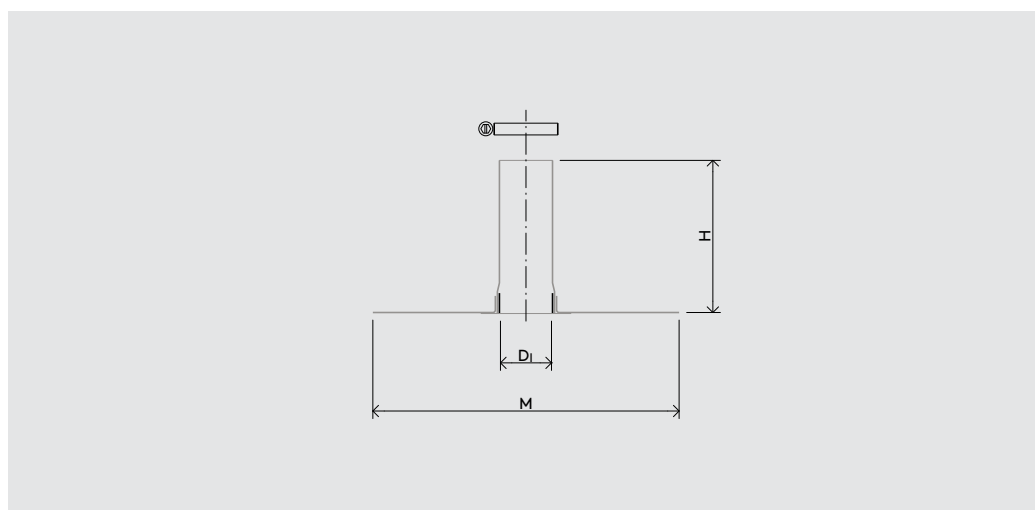
Except Multi-Flange 12 mm and 50 mm
Standard construction height 200 mm

Membrane flange
PVC, EVA

INFO

Please order ←
membrane flange
separately

Special models ←
on request*



WG 1116 ←

| Type | Product No. | D ₁ ∅ [mm] | M [mm] | H [mm] |
|---------------------|-------------|-----------------------|-----------|--------|
| Multi-Flange 12 mm | 171-MF012 | 10-12 | ∅ 200 | 200 |
| Multi-Flange 18 mm | 171-MF018 | 18 | ∅ 200 | 150 |
| Multi-Flange 22 mm | 171-MF022 | 22 | ∅ 200 | 150 |
| Multi-Flange 25 mm | 171-MF025 | 27 | ∅ 200 | 150 |
| Multi-Flange 50 mm | 171-MF050 | 50 | 300 x 300 | 200 |
| Multi-Flange 76 mm | 171-MF076 | 76 | 350 x 350 | 150 |
| Multi-Flange 90 mm | 171-MF090 | 90 | 350 x 350 | 150 |
| Multi-Flange 102 mm | 171-MF102 | 102 | 350 x 350 | 150 |
| Multi-Flange 115 mm | 171-MF115 | 115 | 350 x 350 | 150 |

* Custom-made products cannot be returned.

Status: 11/17 b/s/t GmbH Koch Kunststofftechnologie reserves the right to make technical modifications.