

Pipe Surrounds

b/s/t PVC Multi-Flange

Specification ← Material
PVC-P

Standard construction height
150 mm

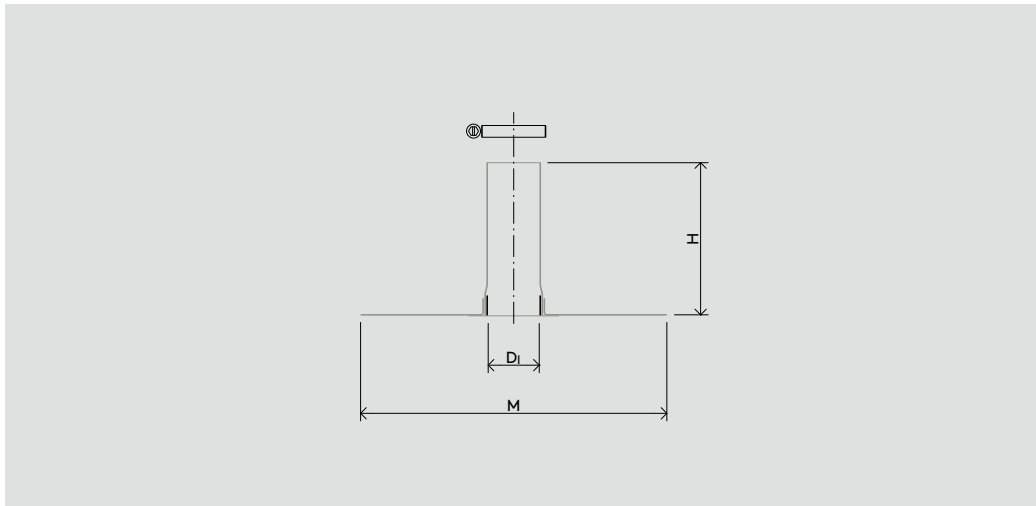
Pre-fabricated flashing for fall arrest posts or cylindrical pipes, including stainless steel hose clamp. For available diameters see table below.

Except Multi-Flange 12 mm and 50 mm
Standard construction height 200 mm

Membrane flange
PVC, EVA (see page 158)

INFO Please order ←
membrane
flange
separately

Special models ←
on request*



WG 1116 ←

Type	Product No.	$D_1 \varnothing$ [mm]	M [mm]	H [mm]
Multi-Flange 12 mm	171-MF012	10-12	\varnothing 200	200
Multi-Flange 18 mm	171-MF018	18	\varnothing 200	150
Multi-Flange 22 mm	171-MF022	22	\varnothing 200	150
Multi-Flange 25 mm	171-MF025	25	\varnothing 200	150
Multi-Flange 50 mm	171-MF050	50	300 x 300	200
Multi-Flange 76 mm	171-MF076	76	350 x 350	150
Multi-Flange 90 mm	171-MF090	90	350 x 350	150
Multi-Flange 102 mm	171-MF102	102	350 x 350	150
Multi-Flange 115 mm	171-MF115	115	350 x 350	150

* Custom-made products cannot be returned.

Status: 03/22 b/s/t GmbH Koch Kunststofftechnologie reserves the right to make technical modifications.