

Flat Roof Vents

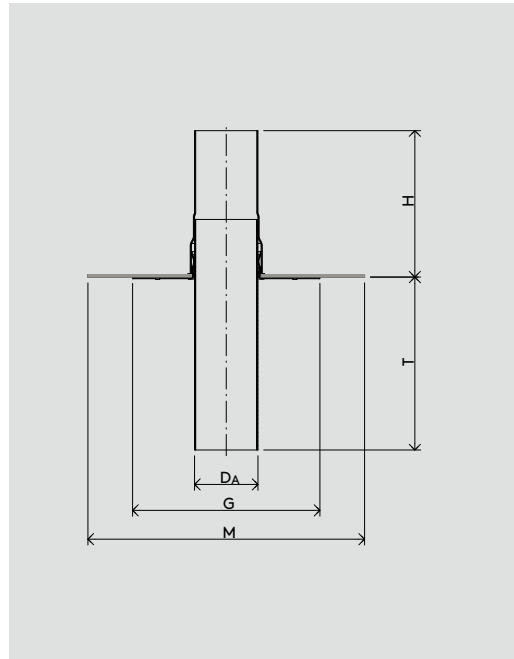
b/s/t ALIT Sewage Vent WD Bitumen

Stacking element

Specification ←

Material
Aluminium

Membrane flange
SBS bitumen roofing membrane



WG 1211 ←

Nominal Width	Product No.	$D_A \emptyset$ [mm]	AL* [cm ²]	G \emptyset [mm]	M \emptyset [mm]	H [mm]	T [mm]
DN 70	A110-BWD070	75	39	325	480	250	300
DN 100	A110-BWD100	110	88	325	480	250	300
DN 125	A110-BWD125	125	115	325	480	250	300
DN 150	A110-BWD150	160	191	325	480	300	300

* AL = ventilation cross-section

Status: 03/22 b/s/t GmbH Koch Kunststofftechnologie reserves the right to make technical modifications.