

Flat Roof Vents

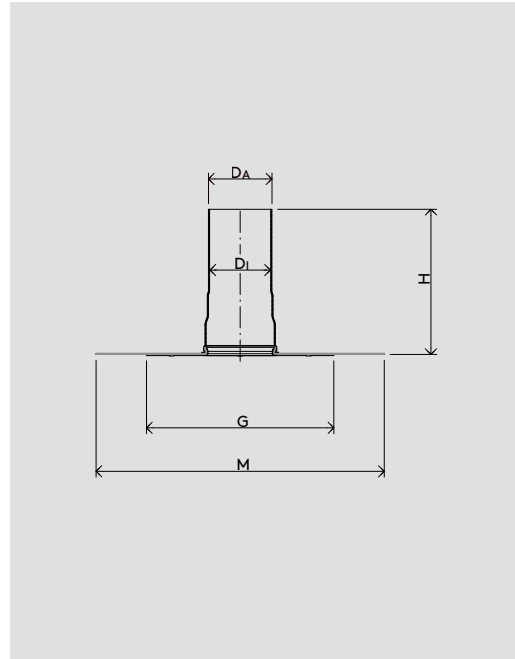
b/s/t ALIT Pipe Duct KD

Specification ← Material
Aluminium

Membrane flange
Polyolefin, EPDM, ECB, PIB, PVC etc.
(see page 158 – 159)

INFO Please order ←
membrane
flange
separately

Special models ←
on request*



WG 1211 ←

Nominal Width	Product No.	DAØ [mm]	DiØ [mm]	GØ [mm]	M [mm]	H [mm]
DN 70	A110-KD070	75	71	325	500	250
DN 100	A110-KD100	110	106	325	500	250
DN 125	A110-KD125	125	121	325	500	250
DN 150	A110-KD150	160	156	325	500	300

* Custom-made products cannot be returned.
Status: 03/22 b/s/t GmbH Koch Kunststofftechnologie reserves the right to make technical modifications.