

Flat Roof Vents

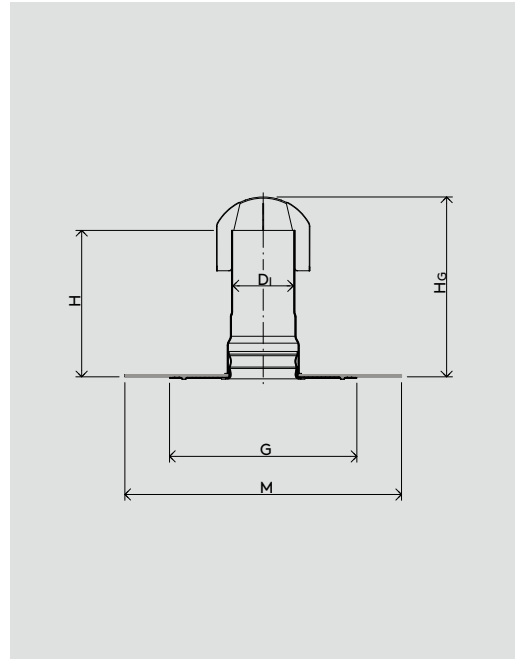
b/s/t ALIT Cold Roof Vent KD Bitumen

Specification ←

Material
Aluminium

Membrane flange
SBS bitumen roofing membrane

Including plastic weather cap (removable),
high impact strength, UV-stabilised



WG 1211 ←

Nominal Width	Product No.	D _i ∅ [mm]	AL* [cm ²]	G∅ [mm]	M∅ [mm]	H [mm]	H _c [mm]
DN 70	A111-BKD070	71	39	325	480	250	290
DN 100	A111-BKD100	106	88	325	480	250	310
DN 125	A111-BKD125	121	115	325	480	250	315
DN 150	A111-BKD150	156	191	325	480	300	380

* AL = ventilation cross-section

Status: 03/22 b/s/t GmbH Koch Kunststofftechnologie reserves the right to make technical modifications.