

Flat Roof Vents

b/s/t ALIT Vent WD Bitumen

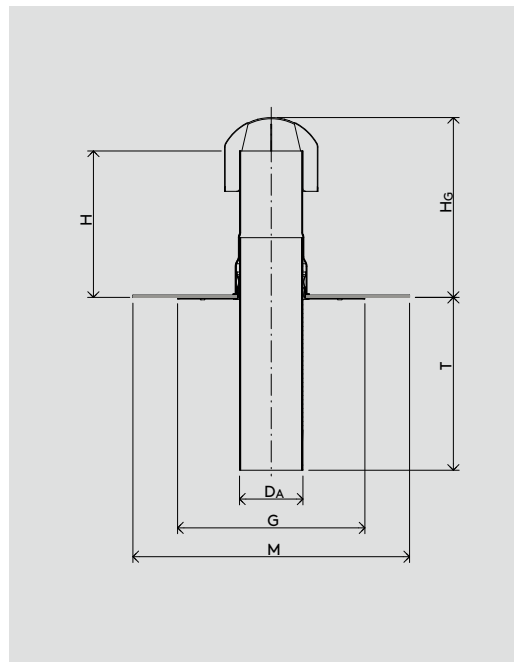
Stacking element

Specification ←

Material
Aluminium

Membrane flange
SBS bitumen roofing membrane

Including plastic weather cap (removable),
high impact strength, UV-stabilised



WG 1211 ←

Nominal Width	Product No.	$D_A \text{ [mm]}$	$AL^* \text{ [cm}^2\text{]}$	$G \text{ [mm]}$	$M \text{ [mm]}$	$H \text{ [mm]}$	$H_g \text{ [mm]}$	$T \text{ [mm]}$
DN 70	A111-BWD070	75	39	325	480	250	290	300
DN 100	A111-BWD100	110	88	325	480	250	310	300
DN 125	A111-BWD125	125	115	325	480	250	315	300
DN 150	A111-BWD150	160	191	325	480	300	380	300

* AL = ventilation cross-section

Status: 03/22 b/s/t GmbH Koch Kunststofftechnologie reserves the right to make technical modifications.