

# Flat Roof Vents

## b/s/t ALIT Cold Roof Vent KD

Specification ←

**Material**

Aluminium

Including plastic weather cap (removable),  
high impact strength, UV-stabilised

**Membrane flange**

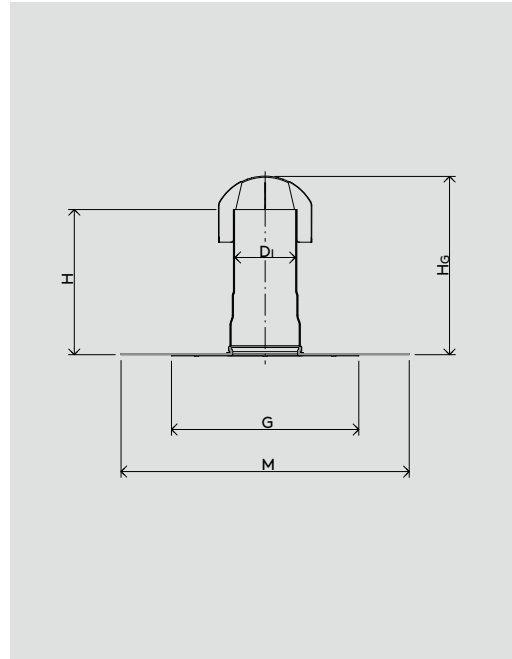
Polyolefin, EPDM, ECB, PIB, PVC etc.

(see page 158 – 159)

INFO

Please order ←  
membrane  
flange  
separately

Special models ←  
on request\*



WG 1211 ←

Nominal Width	Product No.	D <sub>1</sub> Ø [mm]	AL** [cm <sup>2</sup> ]	GØ [mm]	M [mm]	H [mm]	H <sub>G</sub> [mm]
DN 70	A111-KD070	71	39	325	500	250	290
DN 100	A111-KD100	106	88	325	500	250	310
DN 125	A111-KD125	121	115	325	500	250	315
DN 150	A111-KD150	156	191	325	500	300	380

\* Custom-made products cannot be returned.

\*\* AL = ventilation cross-section

Status: 03/22 b/s/t GmbH Koch Kunststofftechnologie reserves the right to make technical modifications.