

Flat Roof Drains

b/s/t ALIT Drain

Stacking element

Specification ←

Material
Aluminium

Pipe length
300 mm or 450 mm
with base plate

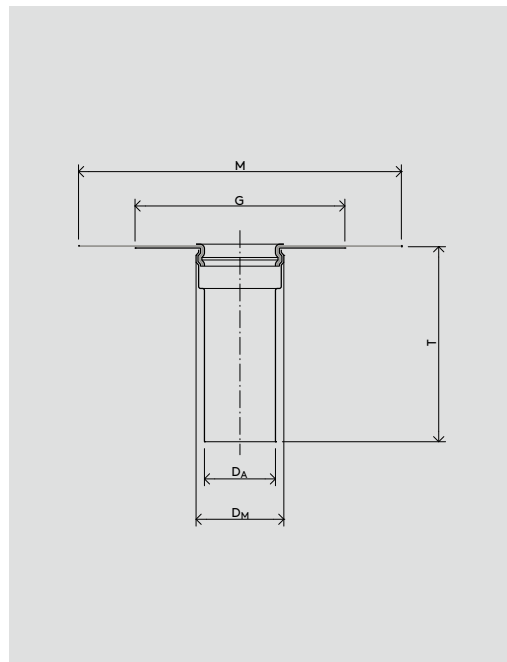
For connection to the roof sealing sheets

Membrane flange
Polyolefin, EPDM, ECB, PIB, PVC etc.
(see page 158 – 159)

INFO

Please order ←
membrane
flange
separately

Special models ←
on request*



b/s/t
Koch Kunst-
stofftechnologie
Nordstraße 1
83253 Rimsting



WG 1212 ←

Nominal Width	Product No.	D _A Ø [mm]	D _M Ø [mm]	G Ø [mm]	M [mm]	T [mm]	Q** [l/sek]	h _G *** [mm]
DN 70	A121-070450	75	90	325	500	450	4.40	35
DN 80	A121-080450	90	105	325	500	450	5.00	35
DN 100	A121-100300	110	130	325	500	300	6.00	35
DN 100	A121-100450	110	130	325	500	450	6.00	35
DN 125	A121-125300	125	145	325	500	300	9.00	45
DN 125	A121-125450	125	145	325	500	450	9.00	45
DN 150	A121-150300	160	175	325	500	300	10.60	45

* Custom-made products cannot be returned.

** Q [l/sek] Discharge capacity at the water level h_G at the gully

*** h_G [mm] Water level height/pressure height at the drain

Status: 03/22 b/s/t GmbH Koch Kunststofftechnologie reserves the right to make technical modifications.