

Flat Roof Drains

b/s/t ALIT Drain Bitumen

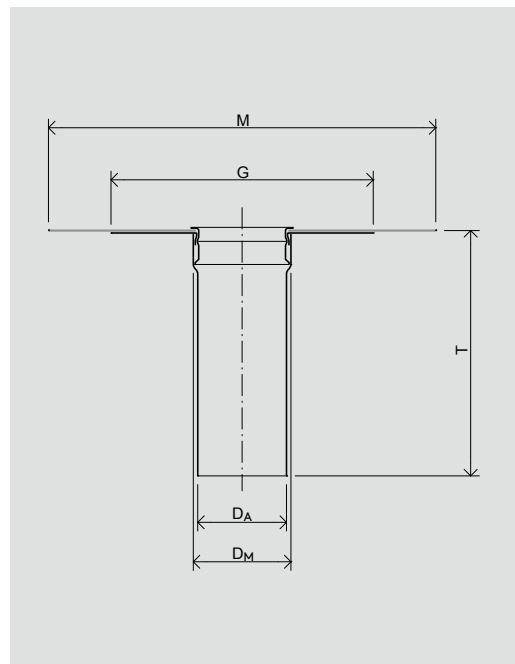
Stacking element

Specification ←

Material
Aluminium

Membrane flange
SBS bitumen roofing membrane

Pipe length
300 mm or 450 mm
with base plate



WG 1212 ←

Nominal Width	Product No.	$D_A \text{ } \varnothing$ [mm]	$D_M \text{ } \varnothing$ [mm]	$G \text{ } \varnothing$ [mm]	$M \text{ } \varnothing$ [mm]	T [mm]	Q^* [l/sek]	h_G^{**} [mm]
DN 70	A121-B070450	75	87	325	480	450	4.40	35
DN 80	A121-B080450	90	102	325	480	450	5.00	35
DN 100	A121-B100300	110	123	325	480	300	6.00	35
DN 100	A121-B100450	110	123	325	480	450	6.00	35
DN 125	A121-B125300	125	138	325	480	300	9.00	45
DN 125	A121-B125450	125	138	325	480	450	9.00	45
DN 150	A121-B150300	160	173	325	480	300	10.60	45

* Q [l/sek] Discharge capacity at the water level h_G at the gully

** h_G [mm] Water level height / pressure height at the drain

Status: 03/22 b/s/t GmbH Koch Kunststofftechnologie reserves the right to make technical modifications.