

Vapour Barrier Connection

b/s/t ALIT Deck Element

Renovation element

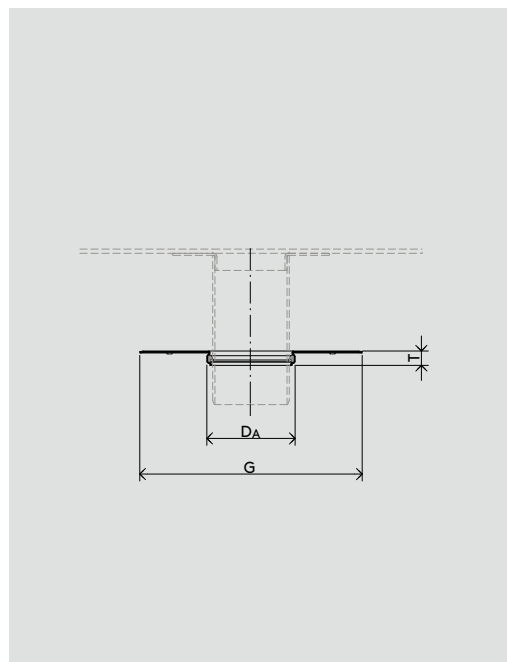
Specification ←

Material
Aluminium

Including a sealing ring, suitable for all stacking elements and round horizontal outlets

Membrane flange
Without membrane flange

For connection to vapour barrier



WG 1213 ←

Nominal Width	Product No.	$D_A \varnothing$ [mm]	$G \varnothing$ [mm]	T [mm]
DN 50	A129-050	65	325	61
DN 70	A129-070	90	325	21
DN 100	A129-100	129	325	21
DN 125	A129-125	143	325	23
DN 150	A129-150	183	325	24