

Parapet Drainage

b/s/t ALIT Emergency Overflow Drain

Specification ←

Material
Aluminium

Pipe length
450 mm or 600 mm

Without base plate

Membrane flange

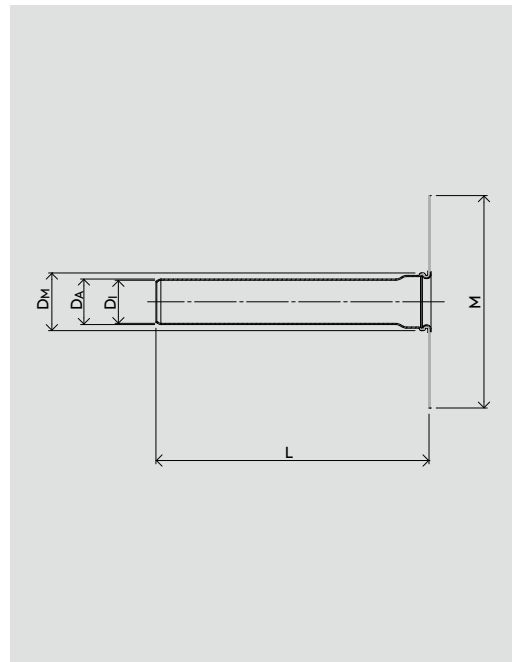
Polyolefin, EPDM, ECB, PIB, PVC etc.
(see page 158 – 159)

INFO

Please order ←
membrane
flange
separately

Free calculation ←
of quantity and
flow rate

Special models ←
on request*



WG 1214 ←

Nominal Width	Product No.	$D_A \varnothing$ [mm]	$D_I \varnothing$ [mm]	$D_M \varnothing$ [mm]	M [mm]	L [mm]
$\varnothing 54$	A131-054450	54	50	64	350	450
$\varnothing 54$	A131-054600	54	50	64	350	600
DN 70	A131-070450	75	71	90	350	450
DN 70	A131-070600	75	71	90	350	600
DN 100	A131-100450	110	106	125	500	450
DN 100	A131-100600	110	106	125	500	600

* Custom-made products cannot be returned.

See calculation tool under „Service“ on www.bst-gmbh.de

Status: 03/22 b/s/t GmbH Koch Kunststofftechnologie reserves the right to make technical modifications.