

Parapet Drainage

b/s/t ALIT Emergency Overflow Drain Bitumen

Specification ←

Material
Aluminium

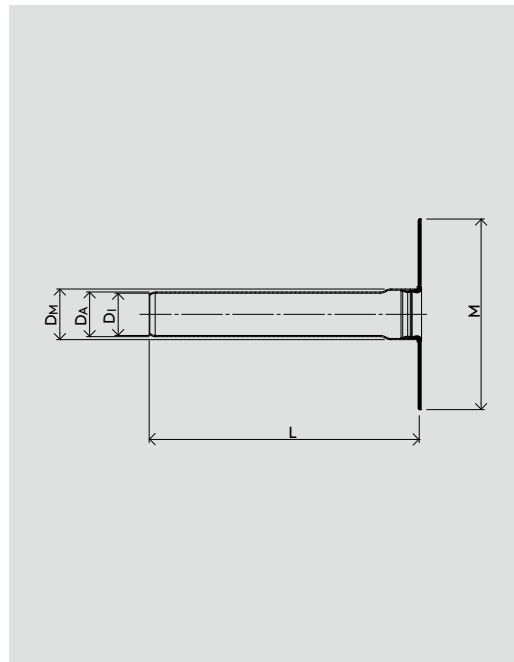
Membrane flange
SBS bitumen roofing membrane

Pipe length
450 mm or 600 mm

Without base plate

INFO

Free ←
calculation of
quantity and
flow rate



WG 1114 ←

Nominal Width	Product No.	$D_A \text{ } \varnothing$ [mm]	$D_I \text{ } \varnothing$ [mm]	$D_M \text{ } \varnothing$ [mm]	$M \text{ } \varnothing$ [mm]	L [mm]
\varnothing 54	A131-B054450	54	50	64	300	450
\varnothing 54	A131-B054600	54	50	64	300	600
DN 70	A131-B070450	75	71	86	320	450
DN 70	A131-B070600	75	71	86	320	600
DN 100	A131-B100450	110	106	121	360	450
DN 100	A131-B100600	110	106	121	360	600