

Parapet Drainage

b/s/t ALIT Parapet Drain

with angled base plate

Specification ←

Material
Aluminium

Pipe length
300 mm, 450 mm or 600 mm
Non-standard pipe lengths on request*

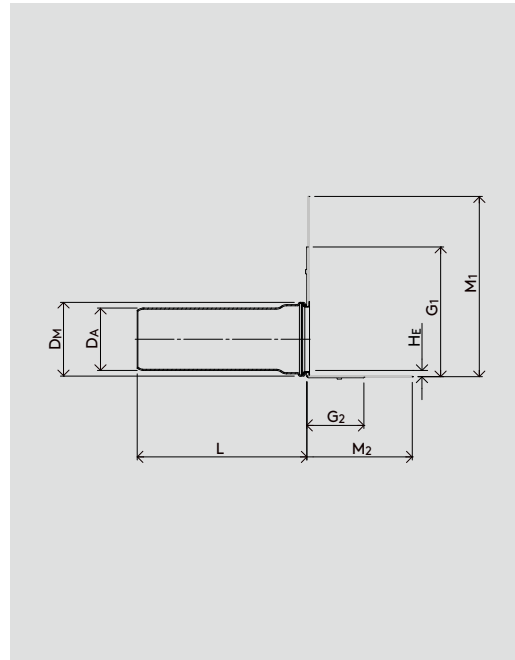
Membrane flange
Polyolefin, EPDM, ECB, PIB, PVC etc.
(see page 158 – 159)

INFO

Please order ←
membrane
flange
separately

Free calculation ←
of quantity and
flow rate

Special models ←
on request*



WG 1214 ←

| Nominal Width | Product No. | DA Ø [mm] | DM Ø [mm] | G1 [mm] | G2 [mm] | M1 [mm] | M2 [mm] | HE [mm] | L [mm] |
|---------------|-------------|-----------|-----------|---------|---------|---------|---------|---------|--------|
| DN 70 | A132-070450 | 75 | 90 | 122 | 205 | 210 | 290 | 10 | 450 |
| DN 70 | A132-070600 | 75 | 90 | 122 | 205 | 210 | 290 | 10 | 600 |
| DN 80 | A132-080450 | 90 | 105 | 115 | 215 | 200 | 305 | 12 | 450 |
| DN 80 | A132-080600 | 90 | 105 | 115 | 215 | 200 | 305 | 12 | 600 |
| DN 100 | A132-100300 | 110 | 130 | 105 | 225 | 190 | 315 | 12 | 300 |
| DN 100 | A132-100450 | 110 | 130 | 105 | 225 | 190 | 315 | 12 | 450 |
| DN 100 | A132-100600 | 110 | 130 | 105 | 225 | 190 | 315 | 12 | 600 |
| DN 125 | A132-125300 | 125 | 140 | 95 | 230 | 190 | 320 | 12 | 300 |
| DN 125 | A132-125450 | 125 | 140 | 95 | 230 | 190 | 320 | 12 | 450 |
| DN 125 | A132-125600 | 125 | 140 | 95 | 230 | 190 | 320 | 12 | 600 |

* Custom-made products cannot be returned.

See calculation tool under „Service“ on www.bst-gmbh.de

Status: 03/22 b/s/t GmbH Koch Kunststofftechnologie reserves the right to make technical modifications.