

Parapet Drainage

b/s/t ALIT Parapet Drain Bitumen

with angled base plate

Specification ←

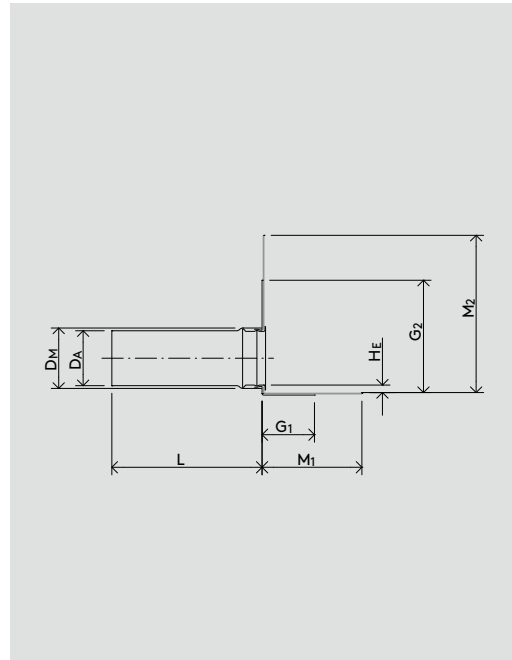
Material
Aluminium

Membrane flange
SBS bitumen roofing membrane

Pipe length
300 mm, 450 mm or 600 mm
Non-standard pipe lengths on request*

INFO

Free ←
calculation of
quantity and
flow rate



WG 1214 ←

Nominal Width	Product No.	$D_A \varnothing$ [mm]	$D_M \varnothing$ [mm]	G_1 [mm]	G_2 [mm]	M_1 [mm]	M_2 [mm]	H_E [mm]	L [mm]
DN 70	A132-B070450	75	87	120	205	195	285	13	450
DN 70	A132-B070600	75	87	120	205	195	285	13	600
DN 80	A132-B080450	90	102	110	215	190	290	13	450
DN 80	A132-B080600	90	102	110	215	190	290	13	600
DN 100	A132-B100300	110	123	105	230	180	300	13	300
DN 100	A132-B100450	110	123	105	230	180	300	13	450
DN 100	A132-B100600	110	123	105	230	180	300	13	600
DN 125	A132-B125300	125	138	95	230	170	310	13	300
DN 125	A132-B125450	125	138	95	230	170	310	13	450
DN 125	A132-B125600	125	138	95	230	170	310	13	600

See calculation tool under „Service“ on www.bst-gmbh.de

Status: 03/22 b/s/t GmbH Koch Kunststofftechnologie reserves the right to make technical modifications.