

Parapet Drainage

b/s/t ALIT Emergency Overflow Drain S

with water dam level

Specification ←

Material
Aluminium

Pipe length
300 mm

Complete with water dam pipe, made of aluminium, L = 150 mm

Water dam level

To be cut to dam level, maximum dam level 90 mm

Membrane flange

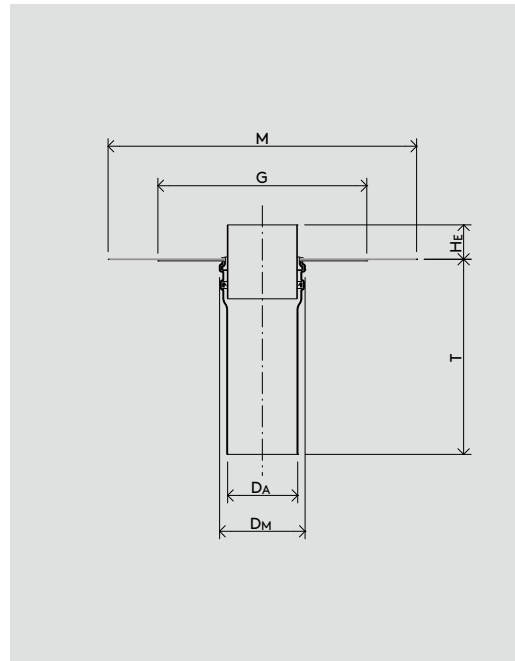
Polyolefin, EPDM, ECB, PIB, PVC etc (see page 158 – 159)

INFO

Please order ←
membrane
flange
separately

Free ←
calculation of
quantity and
flow rate

Special models ←
on request*



WG 1214 ←

Nominal Width	Product No.	$D_A \varnothing$ [mm]	$D_M \varnothing$ [mm]	$G \varnothing$ [mm]	M [mm]	T [mm]	H_E [mm]
DN 70	A133-070300	75	92	325	500	300	90
DN 100	A133-100300	110	130	325	500	300	90
DN 125	A133-125300	125	145	325	500	300	90

* Custom-made products cannot be returned.

Status: 03/22 b/s/t GmbH Koch Kunststofftechnologie reserves the right to make technical modifications.