

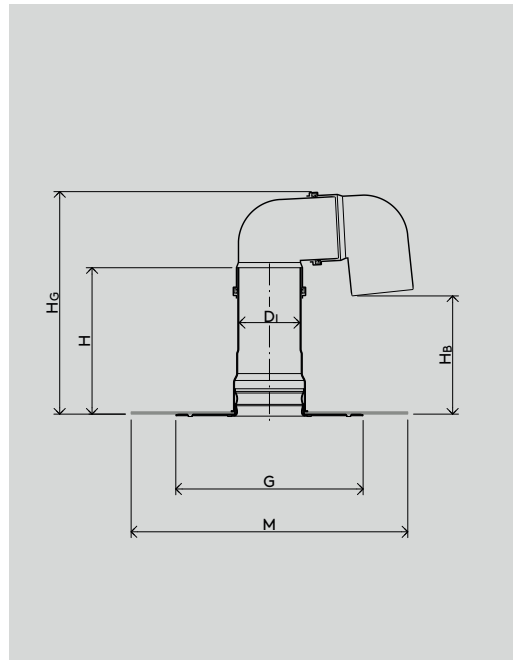
Cable Ducts

b/s/t ALIT Cable Duct KD Bitumen

Specification ← Material
Aluminium

Note
Model with two high impact strength 87°
PVC elbow pipes, UV-stabilised

Membrane flange
SBS bitumen roofing membrane



WG 1215 ←

Nominal Width	Product No.	$D_1 \varnothing$ [mm]	$G \varnothing$ [mm]	$M \varnothing$ [mm]	H [mm]	H_G [mm]	H_B [mm]
DN 70	A142-BKD070	75	325	480	250	340	205
DN 100	A142-BKD100	106	325	480	250	385	200
DN 125	A142-BKD125	121	325	480	250	405	200
DN 150	A142-BKD150	156	325	480	300	495	240