

Cable Ducts

b/s/t ALIT Cable Duct KD

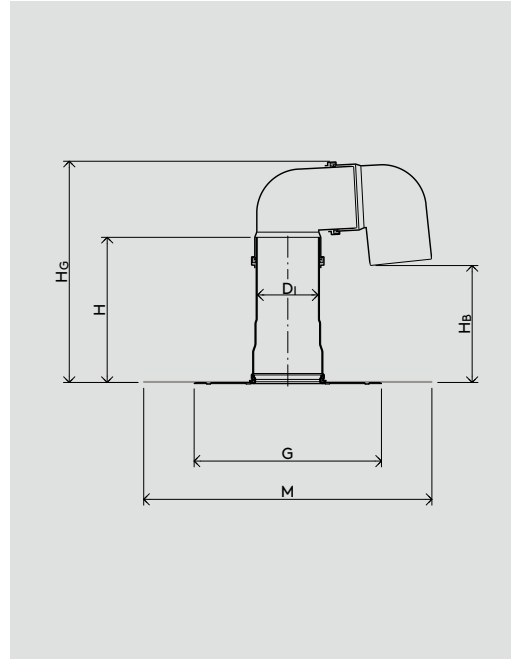
Specification ← Material
Aluminium

Note
Model with two 87° PVC elbow pipes, high impact strength, UV-stabilised

Membrane flange
Polyolefin, EPDM, ECB, PIB, PVC etc.
(see page 158 – 159)

INFO Please order ←
membrane
flange
separately

Special models ←
on request*



WG 1215 ←

Nominal Width	Product No.	DiØ [mm]	GØ [mm]	M [mm]	H [mm]	Hg [mm]	Hb [mm]
DN 70	A142-KD070	71	325	500	250	340	205
DN 100	A142-KD100	106	325	500	250	385	200
DN 125	A142-KD125	121	325	500	250	405	200
DN 150	A142-KD150	156	325	500	300	495	240

* Custom-made products cannot be returned.
Status: 03/22 b/s/t GmbH Koch Kunststofftechnologie reserves the right to make technical modifications.