

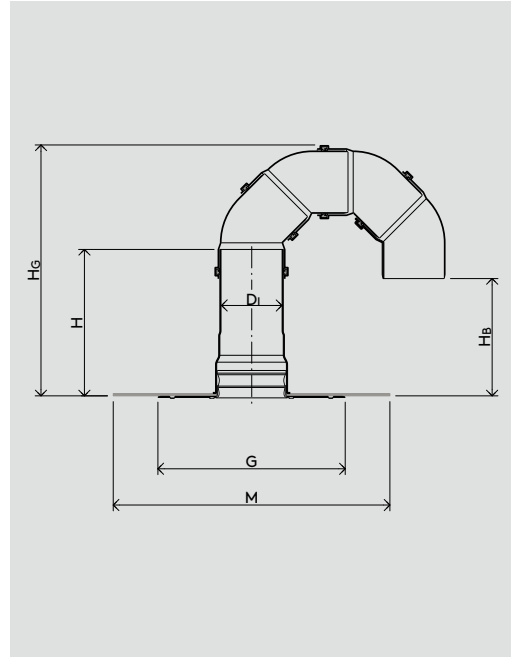
# Cable Ducts

## b/s/t ALIT Energy Supply Duct KD Bitumen

Specification ← Material  
Aluminium

NOte  
Model with four 45° PVC elbow pipes,  
high impact strength, UV-stabilised

Membrane flange  
SBS bitumen roofing membrane



WG 1215 ←

Nominal Width	Product No.	D <sub>i</sub> ∅[mm]	G∅[mm]	M∅[mm]	H[mm]	H <sub>G</sub> [mm]	H <sub>B</sub> [mm]
DN 100	A143-BKD100	106	325	480	250	435	190
DN 125	A143-BKD125	121	325	480	250	450	190
DN 150	A143-BKD150	156	325	480	300	550	230