

# Cable Ducts

## b/s/t ALIT Energy Supply Duct KD

Specification ← Material  
Aluminium

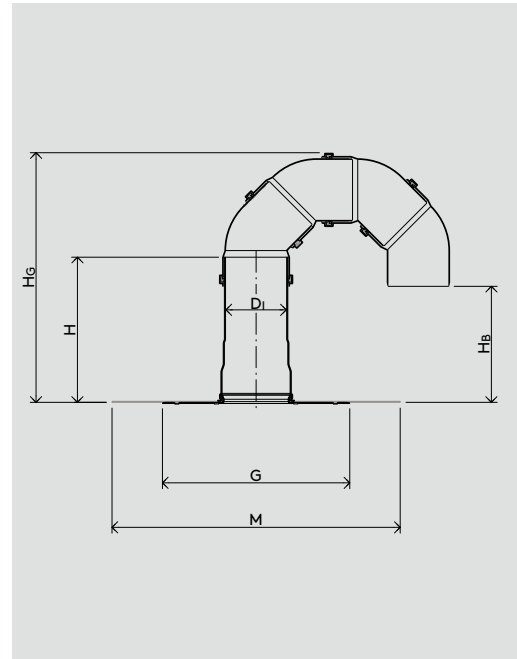
Note  
Model with four high impact strength 45°  
PVC elbow pipes, UV-stabilised

Membrane flange  
Polyolefin, EPDM, ECB, PIB, PVC etc.  
(see page 158 – 159)

INFO

Please order ←  
membrane  
flange  
separately

Special models ←  
on request\*



WG 1215 ←	Nominal Width	Product No.	$D_i \varnothing$ [mm]	$G \varnothing$ [mm]	M [mm]	H [mm]	$H_G$ [mm]	$H_B$ [mm]
	DN 100	A143-KD100	106	325	500	250	435	190
	DN 125	A143-KD125	121	325	500	250	450	190
	DN 150	A143-KD150	156	325	500	300	550	230

\* Custom-made products cannot be returned.  
Status: 03/22 b/s/t GmbH Koch Kunststofftechnologie reserves the right to make technical modifications.