

# Flat Roof Vents

## b/s/t PE Sewage Vent WD

Stacking element

Specification ←

**Material**  
PE, high impact strength,  
UV-stabilised

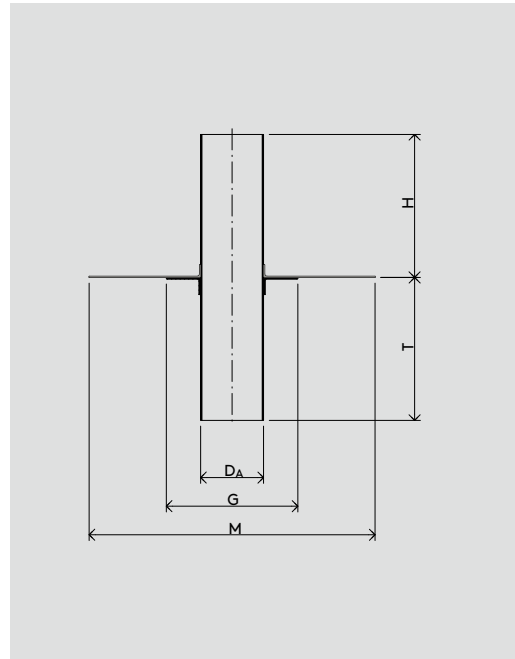
**Membrane flange**  
PE (see page 159)

**Maximum pipe length**  
max. 1000 mm

INFO

Please order ←  
membrane  
flange  
separately

Special models ←  
on request\*



WG 2111 ←

Nominal Width	Product No.	$D_A \varnothing$ [mm]	AL** [cm <sup>2</sup> ]	G [mm]	M [mm]	H [mm]	T [mm]
DN 50	PE110-WD050	50	15	200	350	250	250
DN 70	PE110-WD070	75	40	200	350	250	250
DN 80	PE110-WD080	90	56	200	350	250	250
DN 100	PE110-WD100	110	86	270	500	250	250
DN 125	PE110-WD125	125	111	270	500	250	250
DN 150	PE110-WD150	160	181	270	500	300	250
DN 200*	PE110-WD200	200	274	400	580	300	250
DN 250*	PE110-WD250	250	432	400	580	300	250
DN 300*	PE110-WD300	315	686	500	680	300	250

\* Custom-made products cannot be returned.

\*\* AL = ventilation cross-section

Status: 03/22 b/s/t GmbH Koch Kunststofftechnologie reserves the right to make technical modifications.