

Flat Roof Vents

b/s/t PE Cold Roof Vent KD

Specification ←

Material

PE, high impact strength,
UV-stabilised

Membrane flange

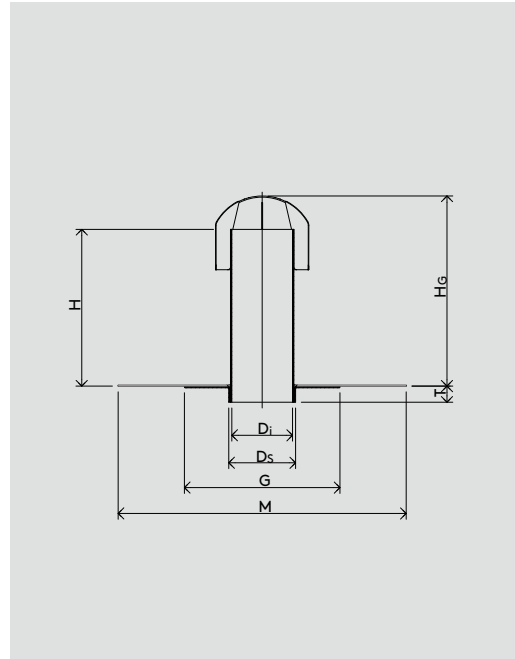
PE (see page 159)

Including plastic weather cap (removable),
high impact strength, UV-stabilised

INFO

Please order ←
membrane
flange
separately

Special models ←
on request*



WG 2111 ←

Nominal Width	Product No.	D ₁ ∅ [mm]	D _s ∅ [mm]	AL** [cm ²]	G [mm]	M [mm]	H [mm]	H _g [mm]	T [mm]
DN 70	PE111-KD070	71.2	81	40	200	350	272	312	28
DN 100	PE111-KD100	104.6	116	86	270	500	272	332	28
DN 125	PE111-KD125	118.8	131	111	270	500	272	337	28
DN 150	PE111-KD150	152.0	166	181	270	500	272	352	28
DN 200*	PE111-KD200	187.6	206	274	400	580	272	383	28

* Custom-made products cannot be returned.

** AL = ventilation cross-section

Status: 03/22 b/s/t GmbH Koch Kunststofftechnologie reserves the right to make technical modifications.