

# Flat Roof Vents

## b/s/t PE Cold Roof Vent KD

Specification ←

**Material**

PE, high impact strength,  
UV-stabilised

**Membrane flange**

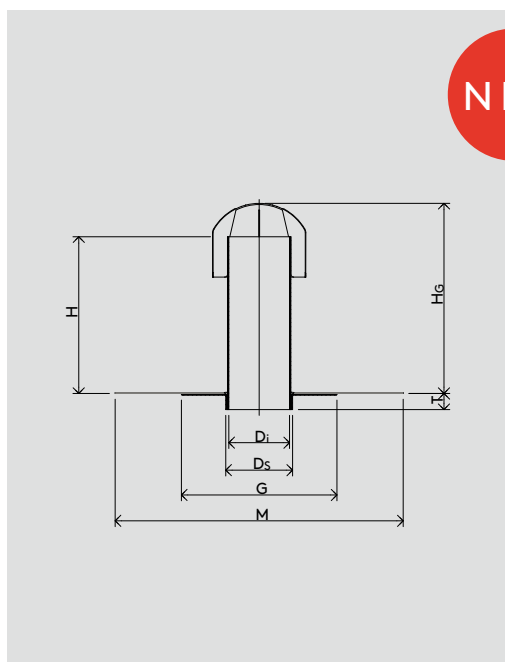
PE (see page 153)

Including PA (polyamide)  
weather cap (removable),  
high impact strength,  
UV-stabilised

INFO

Please order ←  
membrane  
flange  
separately

Special models ←  
on request\*



WG 2111 ←

Nominal Width	Product No.	D <sub>i</sub> Ø [mm]	D <sub>s</sub> Ø [mm]	AL** [cm <sup>2</sup> ]	G [mm]	M [mm]	H [mm]	H <sub>G</sub> [mm]	T [mm]
DN 70	PE111-KD070	71,2	81	40	200	350	272	312	28
DN 100	PE111-KD100	104,6	116	86	270	500	272	332	28
DN 125	PE111-KD125	118,8	131	111	270	500	272	337	28
DN 150	PE111-KD150	152,0	166	181	270	500	272	352	28

\* Custom-made products cannot be returned.

\*\* AL = ventilation cross-section

Status: 03/20 b/s/t GmbH Koch Kunststofftechnologie reserves the right to make technical modifications.