

Flat Roof Vents

b/s/t PE Vent WD

Stacking element

Specification ←

Material

PE, high impact strength,
UV-stabilised

Maximum pipe length

max. 1000 mm

Membrane flange

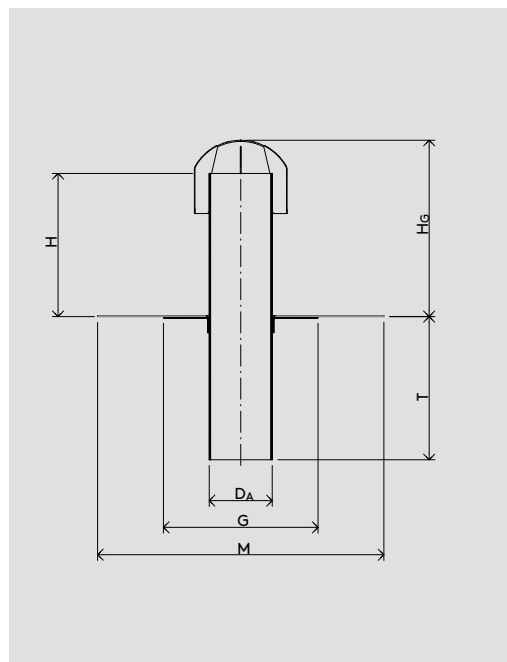
Including plastic weather cap (removable),
high impact strength, UV-stabilised

PE (see page 159)

INFO

Please order ←
membrane
flange
separately

Special models ←
on request*



WG 2111 ←

Nominal Width	Product No.	$D_A \varnothing$ [mm]	AL** [cm ²]	G [mm]	M [mm]	H [mm]	H _G [mm]	T [mm]
DN 50	PE111-WD050	50	15	200	300	250	290	250
DN 70	PE111-WD070	75	40	200	350	250	290	250
DN 80	PE111-WD080	90	55	200	350	250	310	250
DN 100	PE111-WD100	110	86	270	500	250	310	250
DN 125	PE111-WD125	125	111	270	500	250	315	250
DN 150	PE111-WD150	160	181	270	500	300	380	250
DN 200*	PE111-WD200	200	274	400	580	300	411	250

* Custom-made products cannot be returned.

** AL = ventilation cross-section

Status: 03/22 b/s/t GmbH Koch Kunststofftechnologie reserves the right to make technical modifications.