

Parapet Drainage

b/s/t PE Parapet Drain

with angled base plate

Specification ← **Material**
PE, high impact strength, UV-stabilised

Maximum pipe length
max. 1000 mm

Pipe length
300 mm

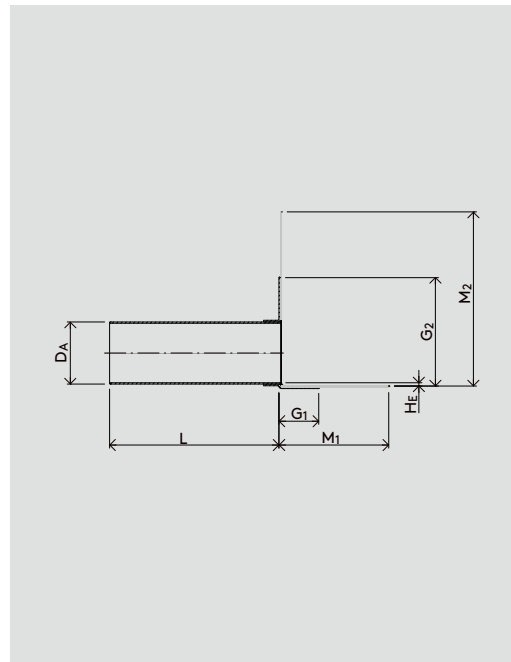
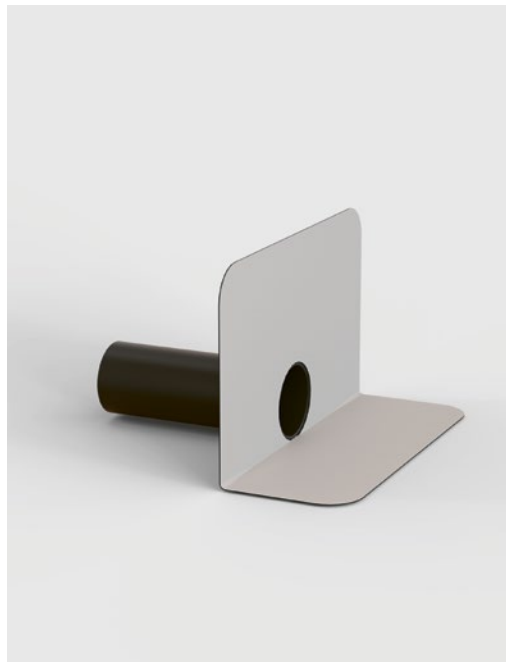
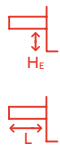
Membrane flange
PE (see page 159)

With dam level to use as Emergency
Overflow Drain

INFO Please order ←
membrane
flange
separately

Free calculation ←
of quantity
and
flow rate

Special models ←
on request*



WG 2114 ←

Nominal Width	Product No.	D _A ∅ [mm]	G ₁ [mm]	G ₂ [mm]	M ₁ [mm]	M ₂ [mm]	H _E [mm]	L [mm]
DN 50	PE132-050	50	72	128	147	203	6	300
DN 70	PE132-070	75	59	138	134	213	6	300
DN 80	PE132-080	90	52	148	127	223	6	300
DN 100	PE132-100	110	77	193	192	308	6	300
DN 125	PE132-125	125	69	201	184	316	6	300
DN 150	PE132-150	160	52	218	167	333	6	300

* Custom-made products cannot be returned.

See calculation tool under „Service“ on www.bst-gmbh.de

Status: 03/22 b/s/t GmbH Koch Kunststofftechnologie reserves the right to make technical modifications.