

Parapet Drainage

b/s/t PE Emergency Overflow Drain S

with water dam level

Specification ←

Material

PE, high impact strength,
UV-stabilised

Water dam level

H_E: optional
(further dam levels on request)

Pipe length T

300 mm

Membrane flange

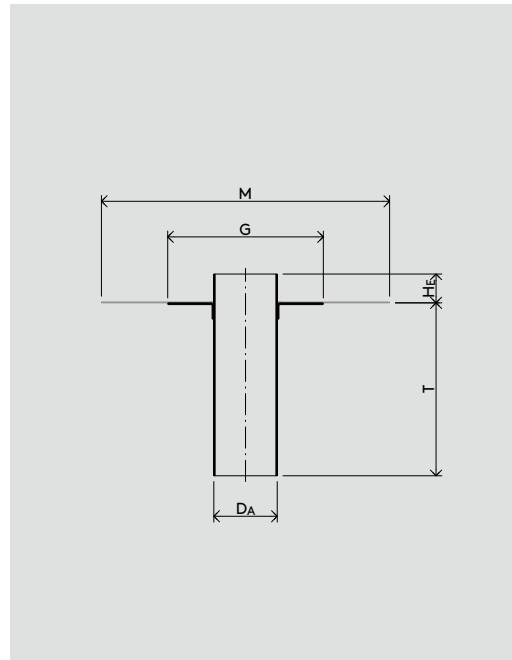
PE (see page 159)

INFO

Please order ←
membrane
flange
separately

Free ←
calculation of
quantity and
flow rate

Special models ←
on request*



WG 2114 ←

Nominal Width	Product No.	D _A ∅ [mm]	G [mm]	M [mm]	T [mm]	H _E ** [mm]
DN 50	PE133-050	50	200	350	300	35
DN 70	PE133-070	75	200	350	300	35
DN 100	PE133-100	110	270	500	300	35
DN 125	PE133-125	125	270	500	300	45
DN 150	PE133-150	160	270	500	300	45

* Custom-made products cannot be returned.

** H_E to customer's specifications

Status: 03/22 b/s/t GmbH Koch Kunststofftechnologie reserves the right to make technical modifications.