

# Parapet Drainage

## b/s/t PE Emergency Overflow Drain RV with Water Dam\*

High Flow Rate!

**Specification** ← Material  
PE, high impact strength,  
UV-stabilised

Pipe length  
400 mm

Dam levels  
35/45/50/55 mm

Special model\*  
Complete pipe length 700 mm max.

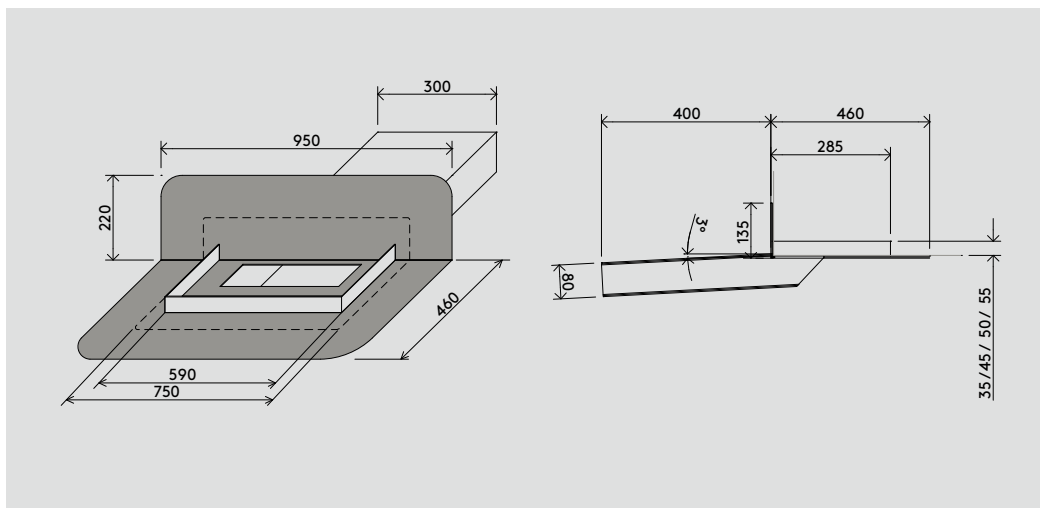
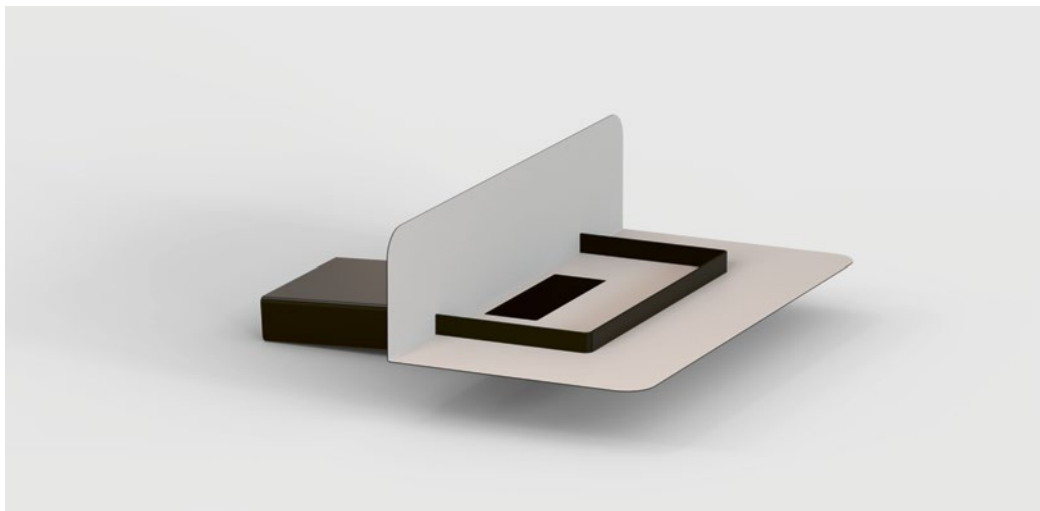
Special model\*  
Without water dam; to be used as water-spout or emergency overflow drain

Membrane flange  
PE (see page 159)

**INFO** Please order ←  
membrane  
flange  
separately

Free ←  
calculation of  
quantity and  
flow rate

Special models ←  
on request\*



WG 1323 ← Type	Product No.	Q** [l/sek]	h <sub>G</sub> *** [mm]
300 x 80 mm RV 35	PE134-30035	13.30	40
300 x 80 mm RV 45	PE134-30045	9.60	30
300 x 80 mm RV 50	PE134-30050	7.80	25
300 x 80 mm RV 55	PE134-30055	6.00	20

\* Custom-made products cannot be returned.

\*\* Q [l/sek] Discharge capacity at water level height h<sub>G</sub> at the emergency overflow; max. permissible water level height 75 mm.

\*\*\* h<sub>G</sub> [mm] Water level height/pressure height at the emergency overflow

Status: 03/22 b/s/t GmbH Koch Kunststofftechnologie reserves the right to make technical modifications.