

b/s/t PE Emergency Overflow Drain RS*

Custom-made products: built from PVC, PP or PE

Specification ← Material
PE (Polyethylene), high impact strength,
UV-stabilised

Special construction*

Maximum inner width: 1000 mm

Minimum inner height: 60 mm

Material thickness: 5 mm

Inner width over 500 mm:
built with a stabilising bar

Factory built dam level of 15 mm min.

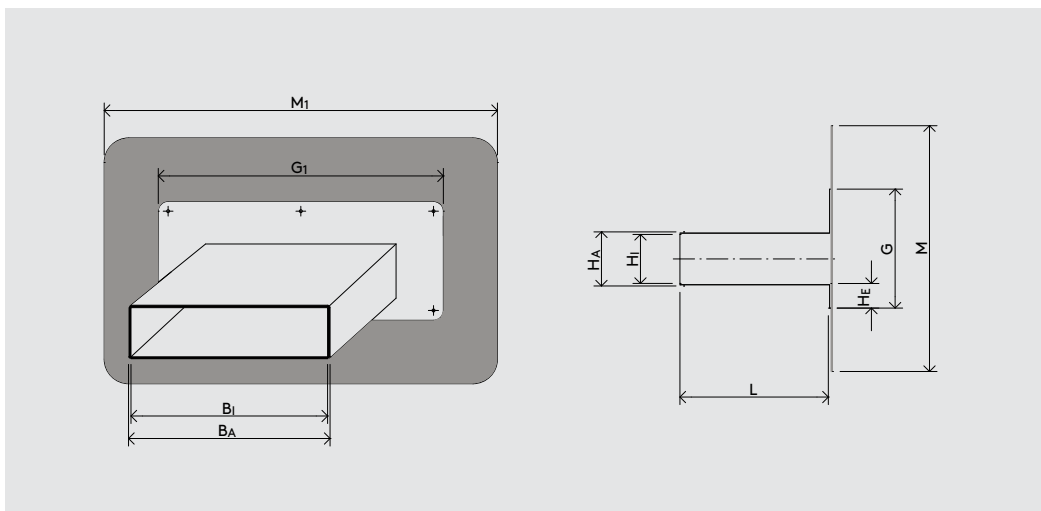
Water dam level 35 mm, 45 mm (or according to instruction) with angled base plate or with a straight base plate on a water dam level of 50 mm or above (please specify with order).

INFO

Please order ←
membrane flange
separately

Free calculation ←
of quantity and
flow rate

Custom models ←
on request*



WG 1322 ← Type	Product No.	Special construction* – prices on request
PE-RS	PE135-000	Maximum inner width 1000 mm; Minimum inner height 60 mm; Material thickness 5 mm. Special models* are built according to submitted drawing only!

* Custom-made products cannot be returned.

Status: 11/17 b/s/t GmbH Koch Kunststofftechnologie reserves the right to make technical modifications.