

Cable Ducts

b/s/t PE Energy Supply Duct KD

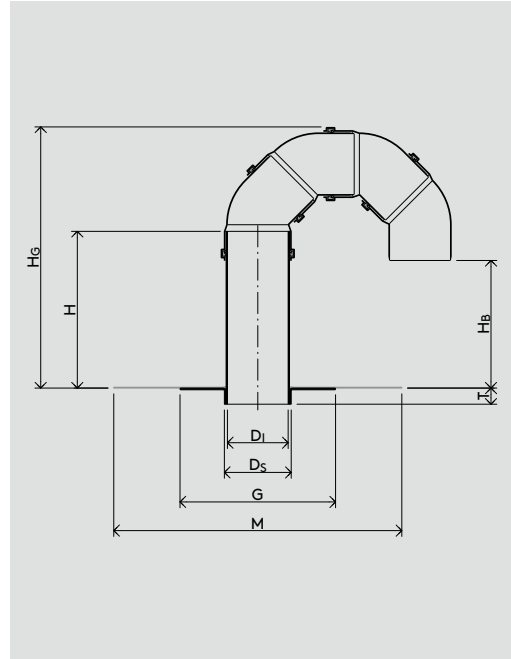
Specification ← Material
PE, high impact strength, UV-stabilised

Note
Model with four high impact strength 45° PVC elbow pipes, UV-stabilised

Membrane flange
PE (see page 159)

INFO Please order ←
membrane
flange
separately

Special models ←
on request*



WG 2117 ←

Nominal Width	Product No.	D ₁ ∅ [mm]	D _s ∅ [mm]	G [mm]	M [mm]	H [mm]	H _G [mm]	H _B [mm]	T [mm]
DN 100	PE143-KD100	104.6	116	270	500	272	442	212	28
DN 125	PE143-KD125	118.8	131	270	500	272	475	212	28
DN 150	PE143-KD150	152.0	166	270	500	272	525	205	28

* Custom-made products cannot be returned.
Status: 03/22 b/s/t GmbH Koch Kunststofftechnologie reserves the right to make technical modifications.