

Flat Roof Drains

b/s/t PP Drain

Stacking element

Specification ←

Material
PP, high impact strength,
UV-stabilised

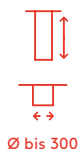
Membrane flange
PP (see page 159)

Special model*
DN 250, DN 300

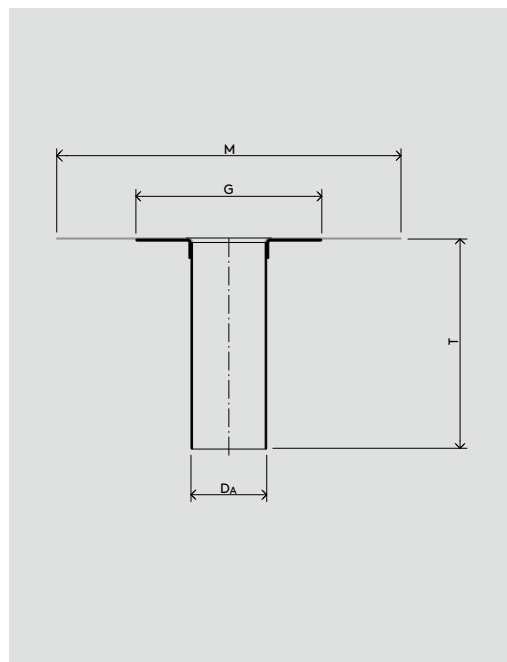
Maximum pipe length
max. 1000 mm

INFO Please order ←
membrane
flange
separately

Special models ←
on request*



Ø bis 300



b/s/t
Koch Kunst-
stofftechnologie
Nordstraße 1
83253 Rimsting



WG 2112 ←

Nominal Width	Product No.	$D_A \varnothing$ [mm]	G [mm]	M [mm]	T [mm]	Q** [l/sek]	h_G *** [mm]
DN 50	PP121-050	50	200	350	300	0.90	35
DN 70	PP121-070	75	200	350	300	4.40	35
DN 80	PP121-080	90	200	350	300	5.00	35
DN 100	PP121-100	110	270	500	300	6.00	35
DN 125	PP121-125	125	270	500	300	9.00	45
DN 150	PP121-150	160	270	500	300	10.60	45
DN 200*	PP121-200	200	400	580	300	13.00	45

* Custom-made products cannot be returned.

** Q [l/sek] Discharge capacity at the water level h_G at the gully

*** h_G [mm] Water level height/pressure height at the drain

Status: 03/22 b/s/t GmbH Koch Kunststofftechnologie reserves the right to make technical modifications.