

# Parapet Drainage

## b/s/t PP Emergency Overflow Drain S

with water dam level

**Specification** ← Material  
 PP, high impact strength,  
 UV-stabilised

Water dam level  
 H<sub>E</sub>: optional  
 (further dam levels on request)

Pipe length T  
 300 mm

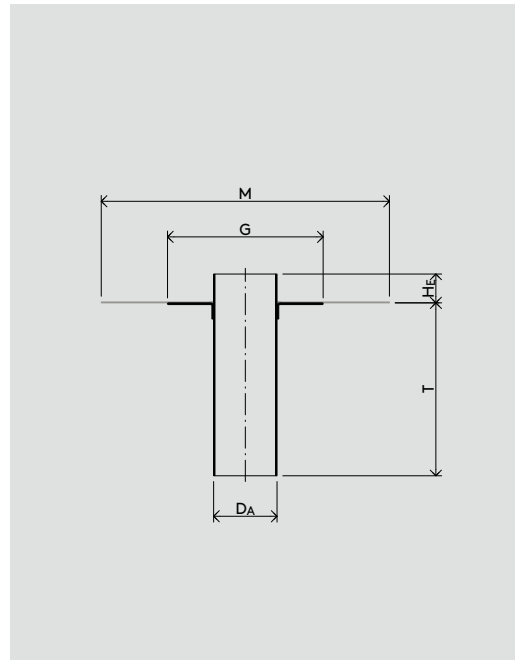
Membrane flange  
 PP (see page 159)

INFO

Please order ←  
 membrane  
 flange  
 separately

Free ←  
 calculation of  
 quantity and  
 flow rate

Special models ←  
 on request\*



WG 2114 ←

Nominal Width	Product No.	D <sub>A</sub> ∅ [mm]	G [mm]	M [mm]	T [mm]	H <sub>E</sub> ** [mm]
DN 50	PP133-050	50	200	350	300	35
DN 70	PP133-070	75	200	350	300	35
DN 100	PP133-100	110	270	500	300	35
DN 125	PP133-125	125	270	500	300	45
DN 150	PP133-150	160	270	500	300	45

\* Custom-made products cannot be returned.

\*\* H<sub>E</sub> to customer's specifications

Status: 03/22 b/s/t GmbH Koch Kunststofftechnologie reserves the right to make technical modifications.