

# Parapet Drainage

## b/s/t PP Emergency Overflow Drain RV with Water Dam\*

High Flow Rate!

Specification ←

Material

PP, shigh impact strength,  
UV-stabilised

Pipe length

400 mm

Dam levels

35/45/50/55 mm

Special model\*

Complete pipe length 700 mm max

Special model\*

Without water dam; to be used as water-spout or emergency overflow drain

Membrane flange

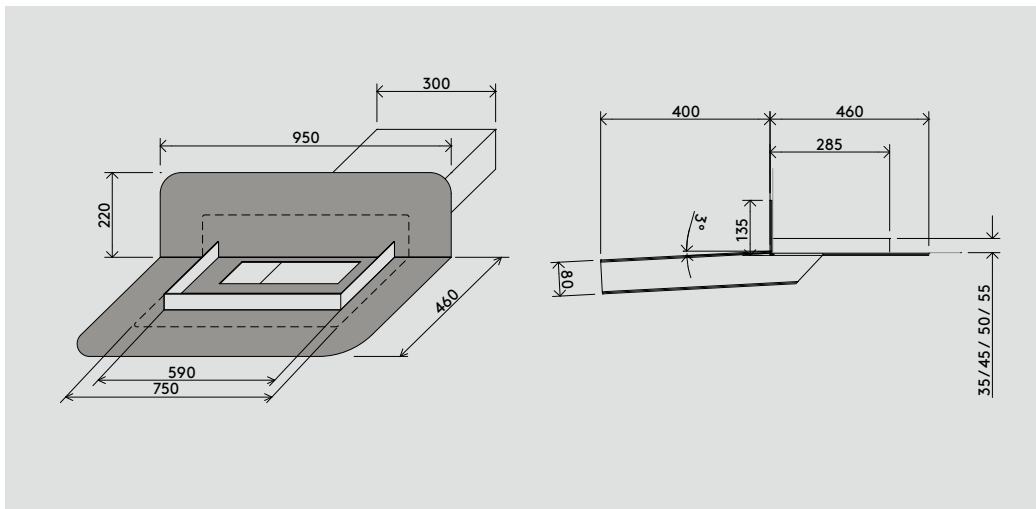
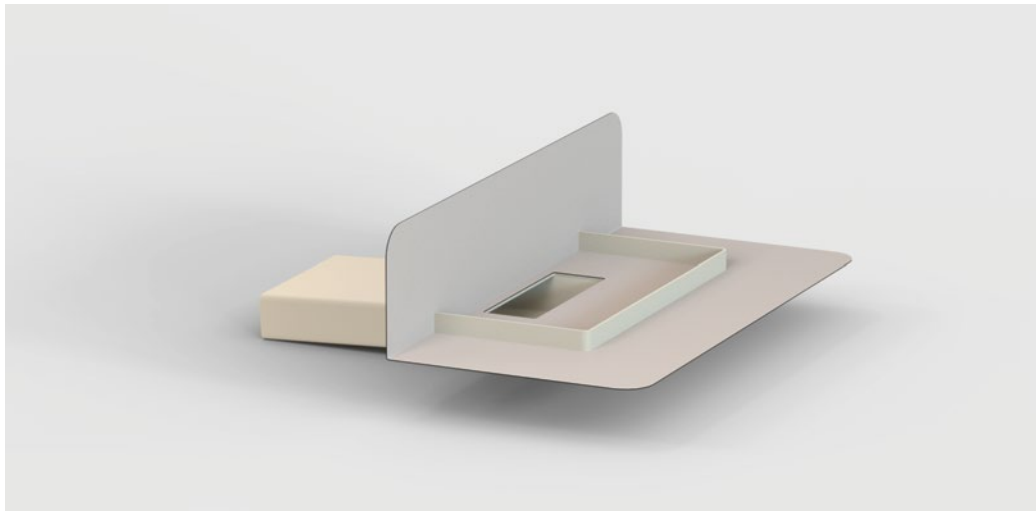
PP (see page 159)

INFO

Please order ←  
membrane  
flange  
separately

Free ←  
calculation of  
quantity and  
flow rate

Special models ←  
on request\*



WG 1322 ←

Type	Product No.	Q** [l/sek]	h <sub>G</sub> *** [mm]
300 x 80 mm RV 35	PP134-30035	13.30	40
300 x 80 mm RV 45	PP134-30045	9.60	30
300 x 80 mm RV 50	PP134-30050	7.80	25
300 x 80 mm RV 55	PP134-30055	6.00	20

\* Custom-made products cannot be returned.

\*\* Q [l/sek] Discharge capacity at water level height h<sub>G</sub> at the emergency overflow; max. permissible water level height 75 mm.

\*\*\* h<sub>G</sub> [mm] Water level height/pressure height at the emergency overflow

Status: 03/22 b/s/t GmbH Koch Kunststofftechnologie reserves the right to make technical modifications.